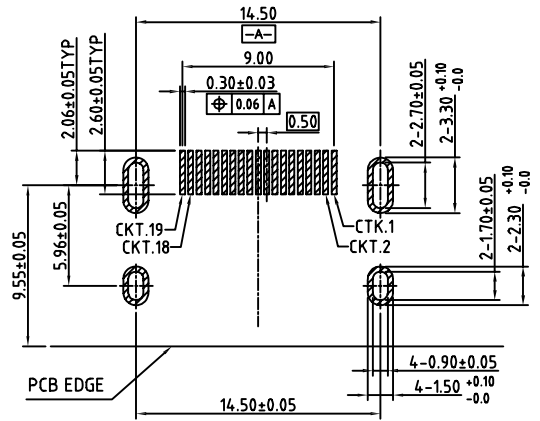
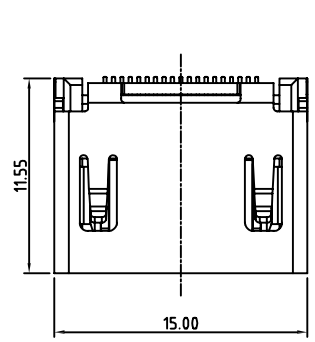


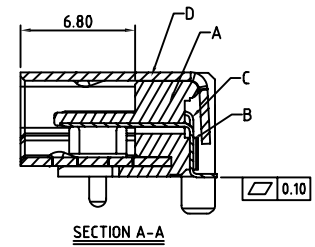
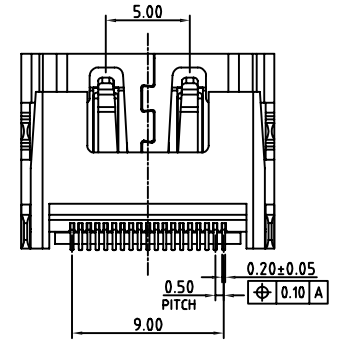
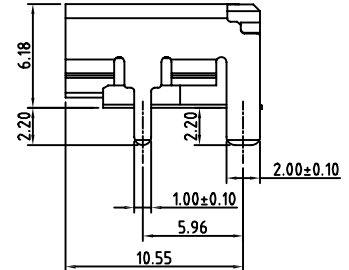
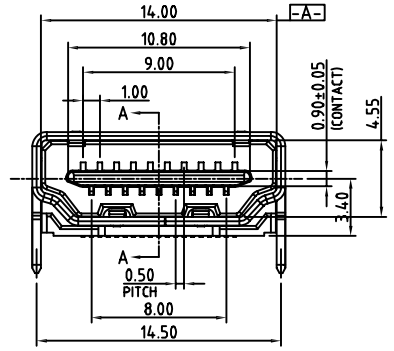
*

REVISIONS

LTR	DESCRIPTION	DATE	REVISED	APPROVED



RECOMMENDED PCB LAYOUT
CONNECTOR SIDE



- NOTES:
- MATING FORCE: 4.5Kgf Max.
 - UNMATING FORCE: 1.0Kgf min.; 4.0Kgf Max.
 - DURIABILITY: 10000 CYCLES.
 - CONTACT RETENTION FORCE: 300gf/Pin(Min.)
 - CURRENT RATING: 0.5A
 - VOLTAGE RATING: 40V
 - DIELECTRIC WITHSTANDING VOLTAGE: 500V AC/MINUTE
 - P/N: JCHM10B-* - R0

PACKING METHOD:
R0: RELL WITHOUT MYLAR

GOLD PLATED ON CONTACT AREA:
1: GOLD FLASH PLATED
5: 5u" MIN. GOLD PLATED
6: 10u" MIN. GOLD PLATED
7: 15u" MIN. GOLD PLATED
3: 30u" MIN. GOLD PLATED

- DIMENSION SHALL BE INTERPRETED PER ANSI Y14.5M-1994.
- MATERIALS:
HOUSING: LCP+30%GF, COLOR BLACK, UL94V-0
CONTACT: COPPER ALLOY, GOLD PLATED(SEE P/N) ON CONTACT AREA,
100u" MIN. MATTE-TIN ON SOLDER TAIL,
50u" MIN. NICKEL UNDERPLATED OVER ALL.
SHELL: COPPER ALLOY, 50u" NICKEL PLATED OVER ALL.

ITEM	DESCRIPTION	Q'TY
D	SHELL	1
C	CONTACT 2	10
B	CONTACT 1	9
A	HOUSING	1

UNLESS TOLERANCES	DWN	LILY	DATE	2015.12.25	3RD ANGLE PROJECTION
	CHKD	ANDY	DATE	2015.12.25	
	APVD	JON	DATE	2015.12.25	

X.X ± 0.30	X.X' ± 3'
X.XX ± 0.20	X.XX' ± 1'
X.XXX ± 0.10	X.XXX' ± 0.5'

JKCR Electronics Co., Ltd.

NAME	HM10B SERIES	
CAT. NO.	JCHM10B-1-R0	
DWN.NO.	HM10B	001