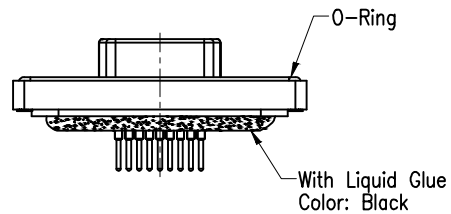
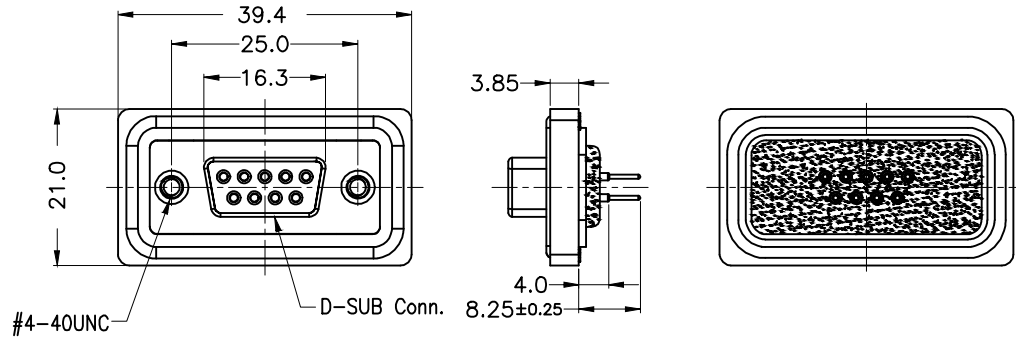


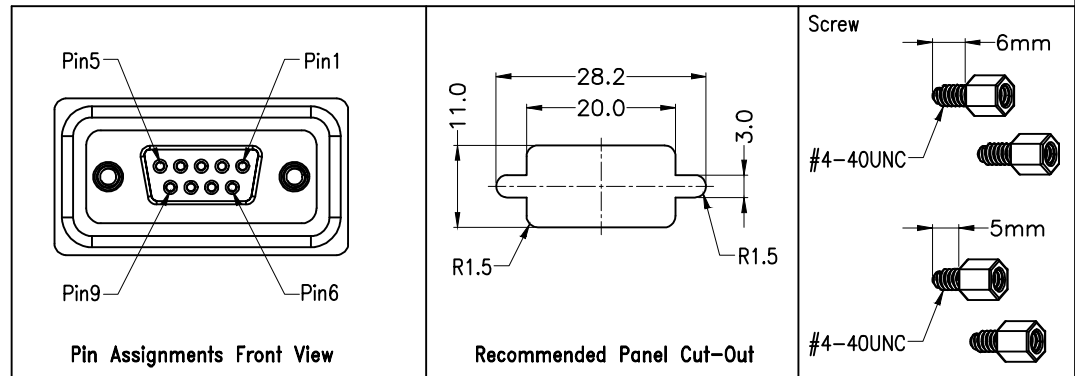
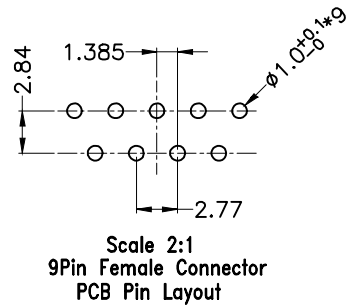
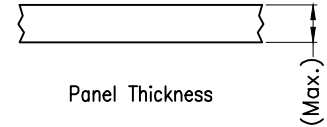
* RoHS COMPLIANT *

* REVISIONS				
LTR	DESCRIPTION	DATE	REVISED	APPROVED



Note:

- Waterproof Rate: IP68**
(No Ingress of Dust/ Protected Against Harmful Effect Caused In 1 Meter Water Within 24 Hours)
- Temperature Range: -40°C to +105°C**
- Do Mating Test After Glued (點膠后需作對插測試)**
- Material:**
Plastic Housing: Nylon, Black
Connector: D-Sub, 9Pin, Female Conn.
Pin: Copper Alloy, Gold Plated
O-Ring: Silicone, Light Blue
Screw: Copper Alloy, Nickel Plated
- Panel Thickness (面板厚度):**
Screw L=5.0mm For Panel Thickness Under 1.2mm
適用板厚為1.2mm以下
Screw L=6.0mm For Panel Thickness Between 1.2~2.0mm
適用板厚為1.2mm~2.0mm之間



UNLESS OTHERWISE SPECIFIED, TOLERANCE ON DECIMAL: ±0.3

DWN	LILY	DATE	2019.07.01	3RD ANGLE PROJECTION	NAME	D-SUB 9P PANEL FF
CHKD	ANDY	DATE	2019.07.01		CAT. NO.	JCD-DBDPF09FCC-SSP8001
APVD	JON	DATE	2019.07.01	UNIT: mm	DWN.NO.	DS-DBDPF09FCC-SSP8001
JKCR Electronics Co., Ltd.						001