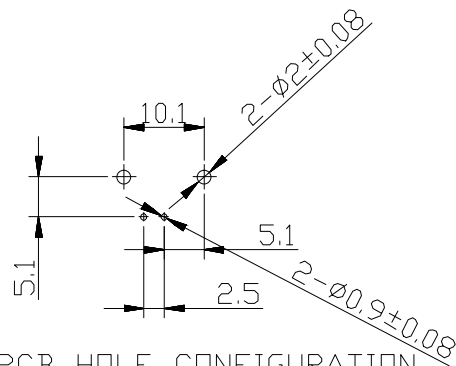
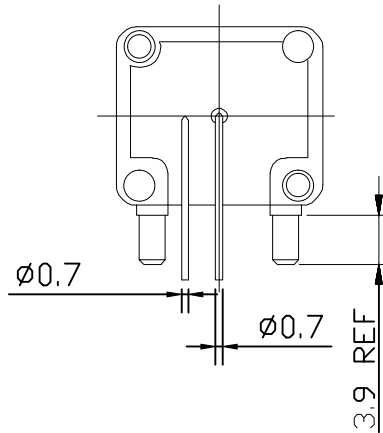
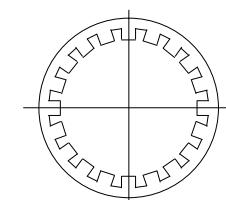
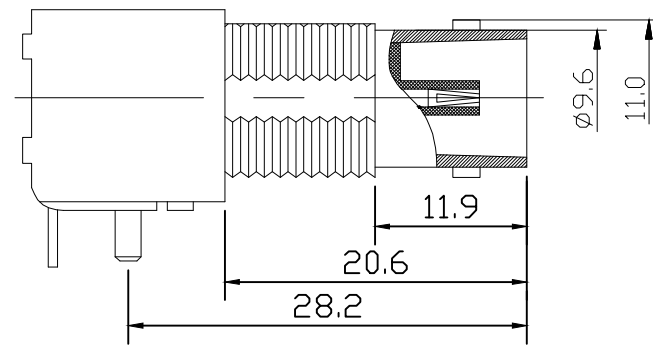
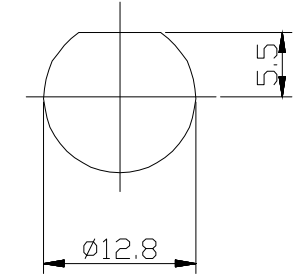
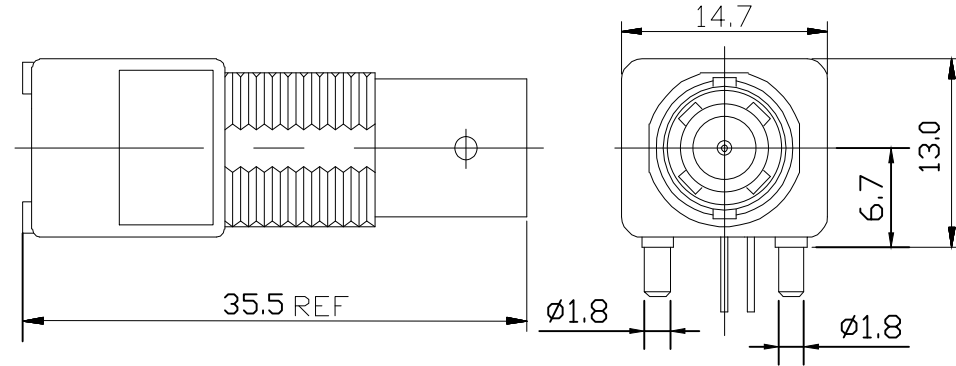


* RoHS COMPLIANT *

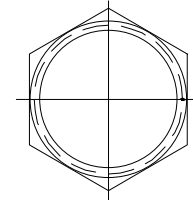
* REVISIONS				
LTR	DESCRIPTION	DATE	REVISED	APPROVED



PCB HOLE CONFIGURATION
RECOMMENDED PANEL CUTOUTS



LOCK WASHER



1/2-28
CLAMP NUT

NO	DESCRIPTION	MATERIAL	FINISH	QTY	SCALE	ISSUE
7	NUT	BRASS	NICKEL	1	DIMENSIONS ARE IN MILLIMETERS UNLESS OTHERWISE SPECIFIED TOLERANCES	
6	WASHER	IRON	NICKEL	1		
5	PIN	COPPER	GOLD	2		
4	PIN	COPPER	GOLD	1		
3	INSULATOR	PDM	NONE	1		
2	BODY	ZINC ALLOY	NICKEL	1		
1	CENTER CONTACT	PHOSPHOR BRONZE	GOLD	1		

DWN	LILY	DATE	2019.03.25	3RD ANGLE PROJECTION	NAME 75Ω BNC R/A PCB/PANEL MOUNT JACK, METAL BODY	
CHKD	ANDY	DATE	2019.03.25			
APVD	JON	DATE	2019.03.25			UNIT: mm
JKCR Electronics Co., Ltd.					DWN.NO.	QL-MCI-7044SZ 75ΩHM
						002