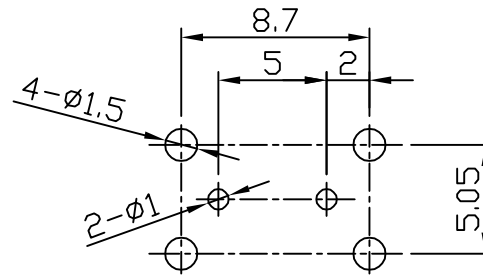
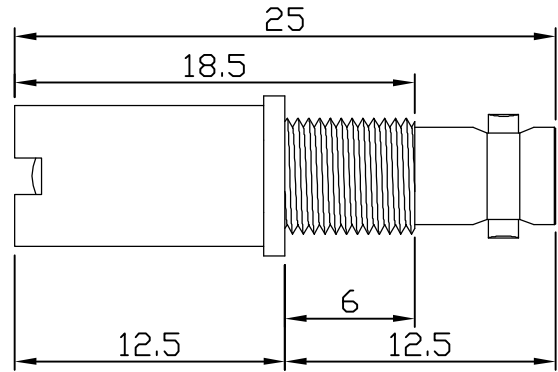


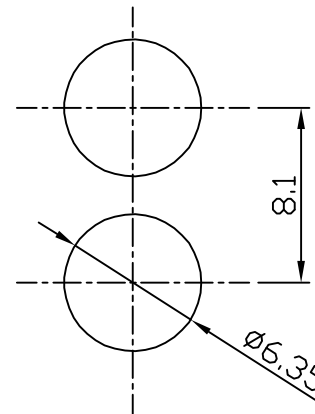
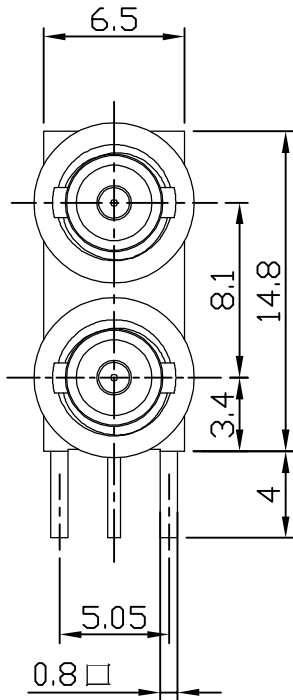
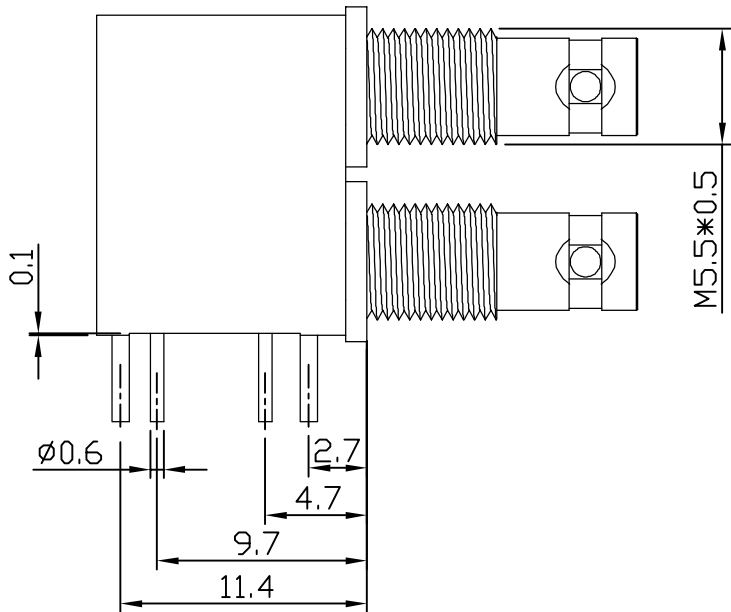
* RoHS COMPLIANT *

* REVISIONS

LTR	DESCRIPTION	DATE	REVISED	APPROVED



Recommended PCB Layout



Recommended Mounting Hole
MAX PANEL THICKNESS: 3mm

Electrical Specification
Impedance: 75 Ohm
Frequency: 0-6 GHz

Environmental Specification
Operating Temp:
-55 to +155 Deg C.

Mechanical Specification
Mating cycles: 500

6	REAR BODY	BRASS	1	TIN PLATING
5	CONTACT PIN	Be,Cu	1	GOLD PLATING
4	CONTACT PIN	Be,Cu	1	GOLD PLATING
3	INSULATOR	TEFLON	2	NATURAL
2	INSULATOR	TEFLON	2	NATURAL
1	FRONT BODY	BRASS	2	GOLD PLATING
ITEM	DESCRIPTION	MATERIAL	Q'TY	FINISHED

UNLESS OTHERWISE SPECIFIED
TOLERANCES:
0.5-15 = ±0.15 ANGLES ±5°
15-30 = ±0.30
30-120 = ±0.60
>120 = ±1.00

DWN	LILY	DATE	2019.12.12	3RD ANGLE PROJECTION	NAME MICRO BNC RA BULKHED PCB JACK 2 WAY	
CHKD	ANDY	DATE	2019.12.12			
APVD	JON	DATE	2019.12.12	UNIT: mm	CAT. NO. JCB-MB002-75□HM-Z	
JKCR Electronics Co., Ltd.					DWN.NO. CL-MB002-75□HM	001