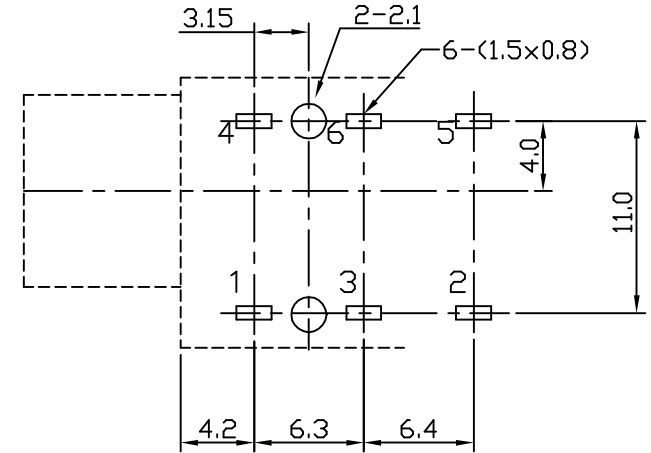
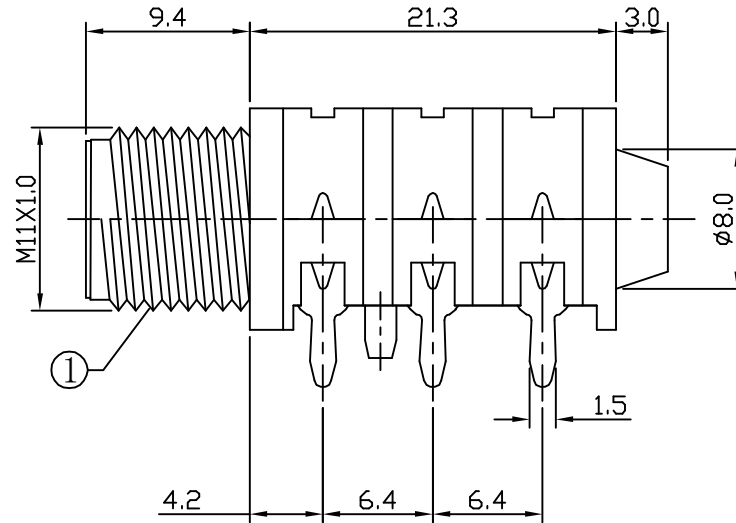
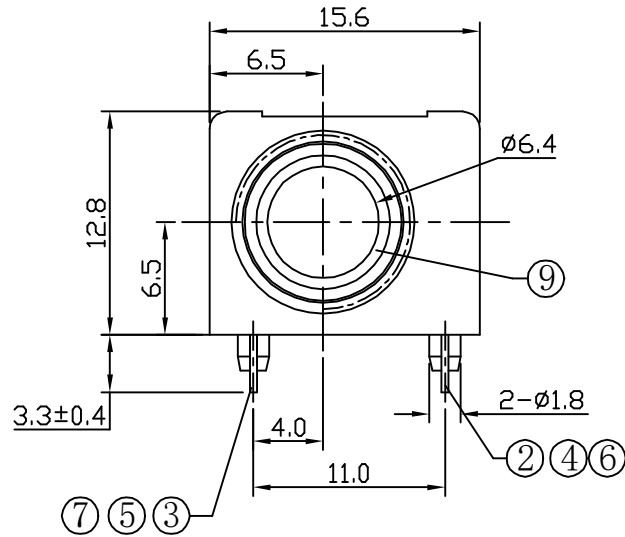
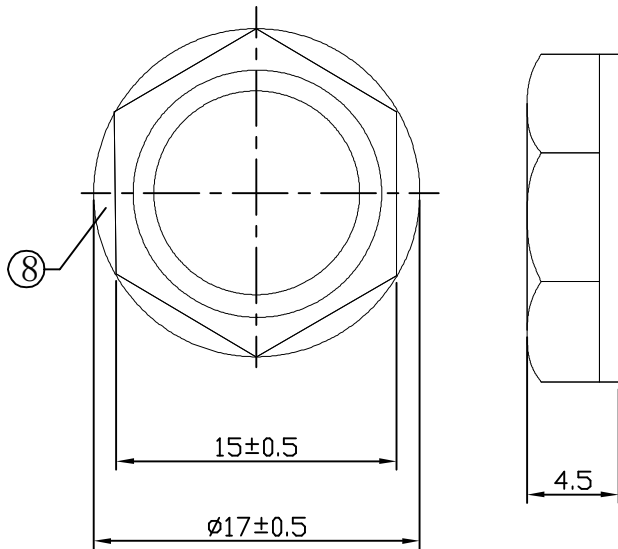


* RoHS COMPLIANT *

* REVISIONS				
LTR	DESCRIPTION	DATE	REVISED	APPROVED

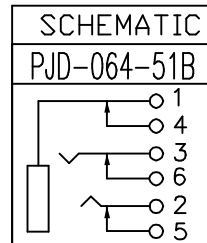


T:1.6 Dimensions of PC board holes
Tolerance : ±0.1(Printed-top view)



HEX NUT

UNLESS OTHERWISE SPECIFIED, TOLERANCE ON DECIMAL: ±0.3



9	SLEEVE	1	H59	Ni PLATED
8	NUT	1	PA66	UL-94HB(BLACK)
7	CONTACT FOOT	1	C2680	Ag PLATED
6	SPRING	1	C5191	Ag PLATED
5	CONTACT FOOT	1	C2680	Ag PLATED
4	SPRING	1	C5191	Ag PLATED
3	CONTACT FOOT	1	C2680	Ag PLATED
2	SPRING	1	C5191	Ag PLATED
1	HOUSING	1	PA66	UL-94HB(BLACK)
LTR	PART NAME	QTY	MATERIAL	REMARK
DWN	LILY	DATE	2021.11.30	3RD ANGLE PROJECTION NAME PHONE JACK CAT. NO. PJD-064-51B DWN.NO. B-064-51
CHKD	ANDY	DATE	2021.11.30	
APVD	JON	DATE	2021.11.30	
JKCR Electronics Co., Ltd.				003