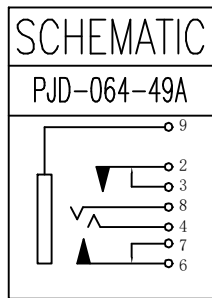
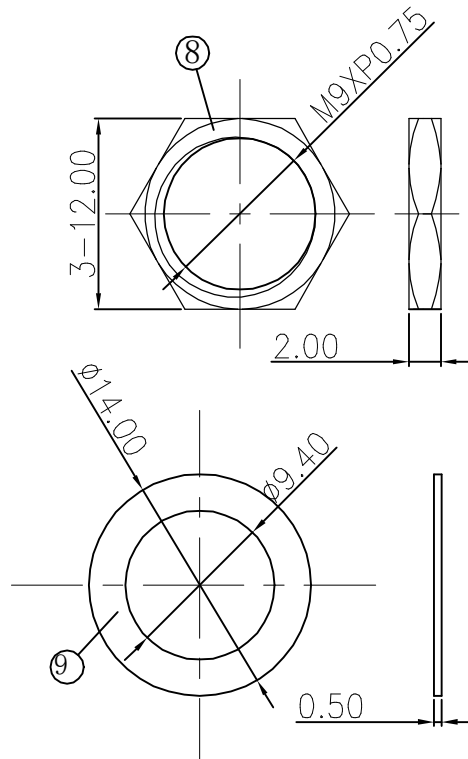
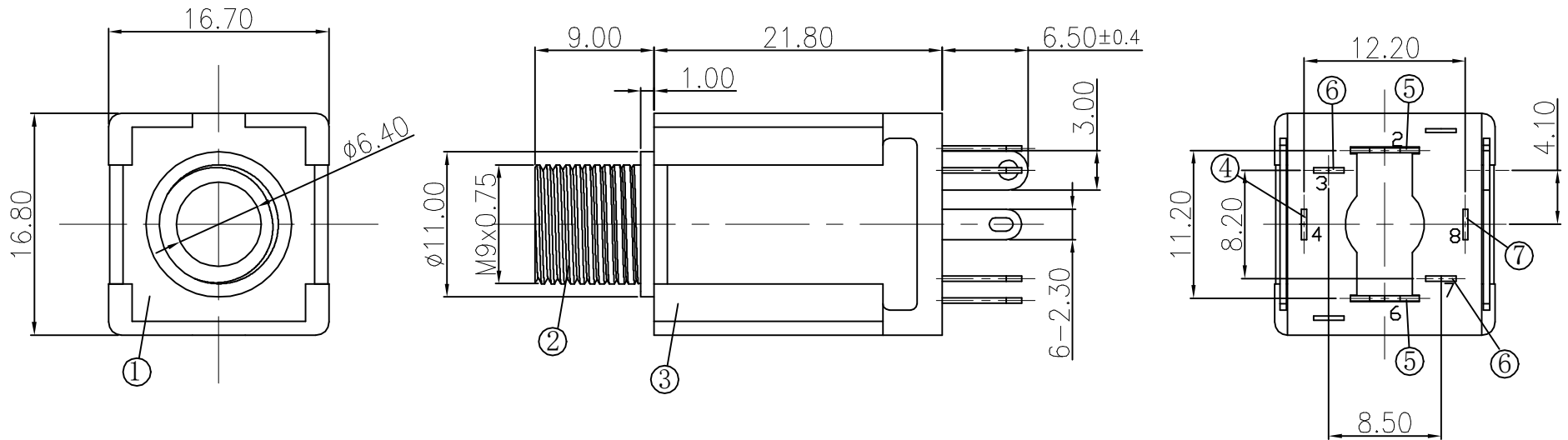


\* RoHS COMPLIANT \*

| * REVISIONS |             |      |         |          |
|-------------|-------------|------|---------|----------|
| LTR         | DESCRIPTION | DATE | REVISED | APPROVED |



| 9                          | PAD PIECE    | 1    | SPCC       | Ni PLATED  |
|----------------------------|--------------|------|------------|--|
| 8                          | SLEEVE NUT   | 1    | ZINC ALLOY | Cu/Sn PLATED   |
| 7                          | 8# SPRING    | 1    | C5191      | Cu/Sn PLATED   |
| 6                          | 3# 7# SPRING | 2    | C2680      | Cu/Sn PLATED   |
| 5                          | 2# 6# SPRING | 2    | C5191      | Cu/Sn PLATED   |
| 4                          | 4# SPRING    | 1    | C5191      | Cu/Sn PLATED   |
| 3                          | HOUSING      | 1    | PBT        | BLACK  |
| 2                          | AXIS SUPPORT | 1    | H59        | Ni PLATED  |
| 1                          | 9# COAT      | 1    | SPCC       | Ni PLATED  |
| LTR                        | PART NAME    | QTY  | MATERIAL   | REMARK   |
| DWN                        | LILY         | DATE | 2021.07.19 | 3RD ANGLE PROJECTION<br>NAME<br>PHONE JACK<br>CAT. NO.<br>PJD-064-49A<br>DWN.NO.<br>B-064-02 |
| CHKD                       | ANDY         | DATE | 2021.07.19 |  |
| APVD                       | JON          | DATE | 2021.07.19 |  |
| JKCR Electronics Co., Ltd. |              |      |            | 001  |

UNLESS OTHERWISE SPECIFIED, TOLERANCE ON DECIMAL: ±0.3