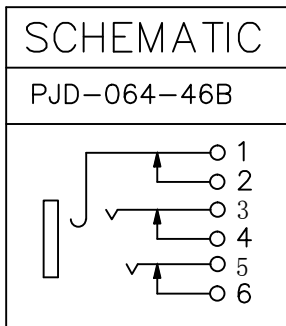
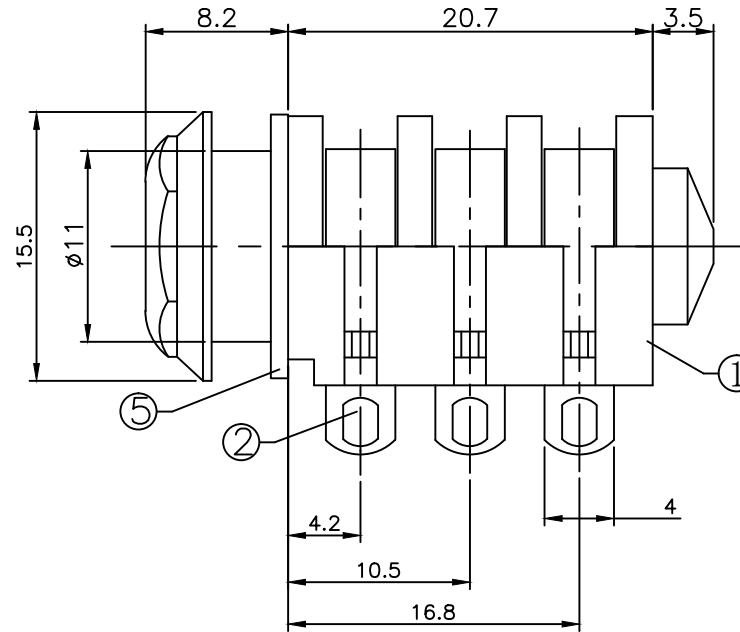
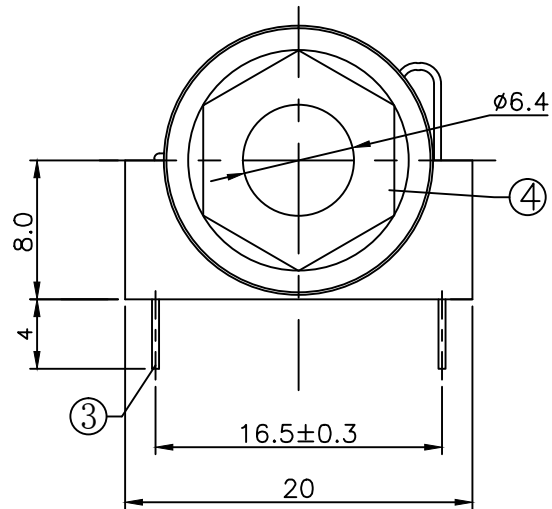


* REVISIONS				
LTR	DESCRIPTION	DATE	REVISED	APPROVED



LEAD FREE

5	WASHER	1	ABS	UL-94HB(RED)
4	AXIS SUPPORT	1	Brass	Ni PLATED
3	CONTACT FOOT	3	Phosphor bronze	Ag PLATED
2	SPRING	3	Phosphor bronze	Ag PLATED
1	HOUSING	1	ABS	UL-94HB(BLACK)

LTR	PART NAME	QTY	MATERIAL	REMARK
DWN	LILY	DATE	2019.05.03	3RD ANGLE PROJECTION
CHKD	ANDY	DATE	2019.05.03	
APVD	JON	DATE	2019.05.03	
JKCR Electronics Co., Ltd.				NAME PHONE JACK
				CAT. NO. PJD-064-46B
				DWN.NO. B-064-46
				001

UNLESS OTHERWISE SPECIFIED, TOLERANCE ON DECIMAL: ±0.3