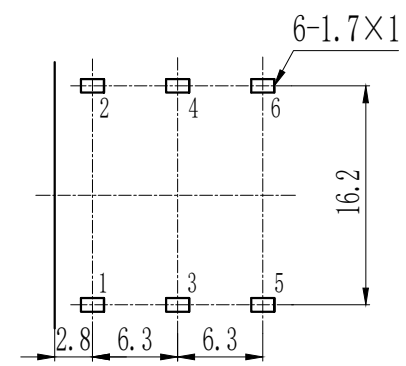
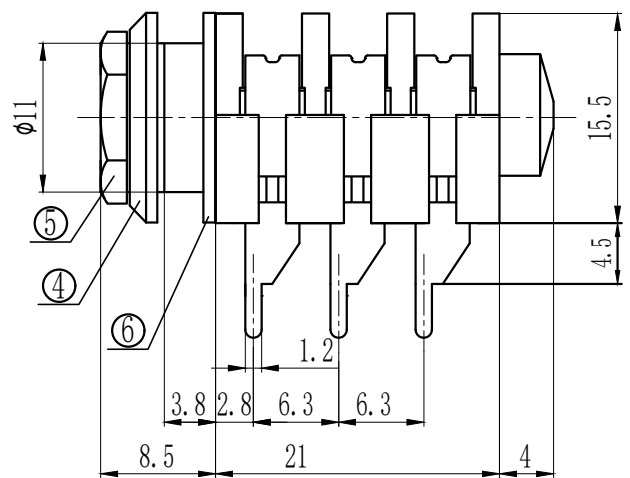
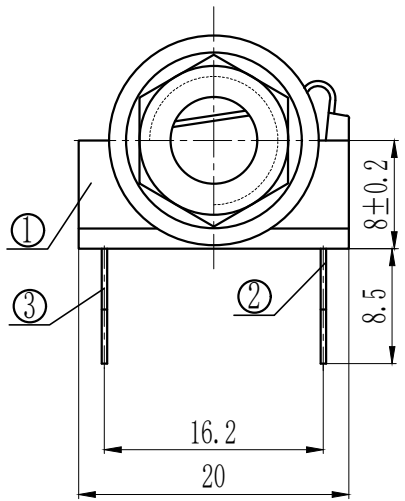
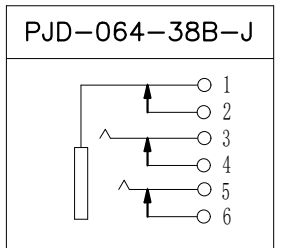
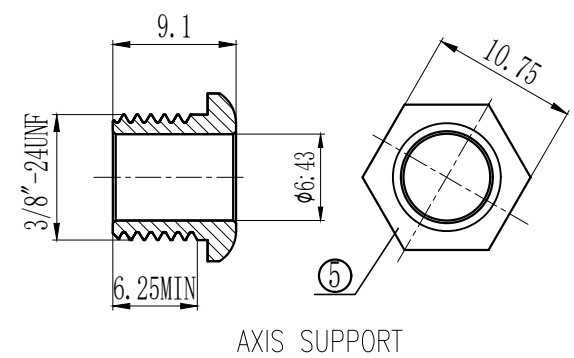
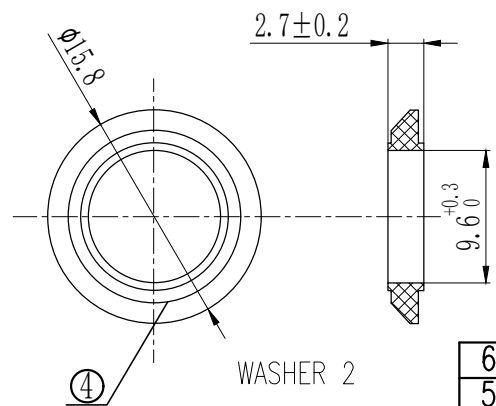
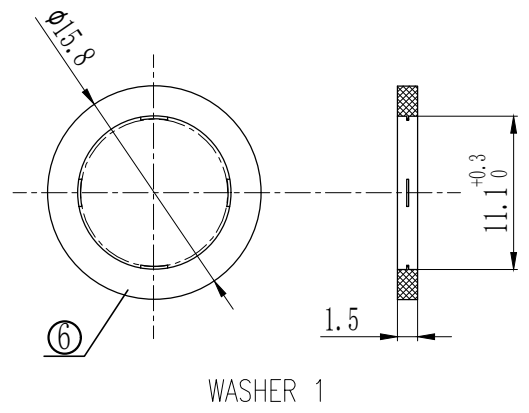


* RoHS COMPLIANT *

* REVISIONS				
LTR	DESCRIPTION	DATE	REVISED	APPROVED



T:1.6 Dimensions of PC board holes
Tolerance : ±0.1(Printed-top view)



UNLESS OTHERWISE SPECIFIED, TOLERANCE ON DECIMAL: ±0.3

6	WASHER 1	1	ABS	BLACK
5	AXIS SUPPORT	1	H59(COPPER ALLOY)	Ni PLATED
4	WASHER 2	1	ABS	BLACK
3	CONTACT FOOT	3	C2680	Ag PLATED
2	SPRING	3	C5191	Ag PLATED
1	HOUSING	1	PBT	BLACK
LTR	PART NAME	QTY	MATERIAL	REMARK
DWN	LILY	DATE	2017.06.12	3RD ANGLE PROJECTION
CHKD	ANDY	DATE	2017.06.12	
APVD	JON	DATE	2017.06.12	UNIT: mm
JKCR Electronics Co., Ltd.				NAME PHONE JACK
				CAT. NO. PJD-064-38B-J
				DWN.NO. J-064-38
				001