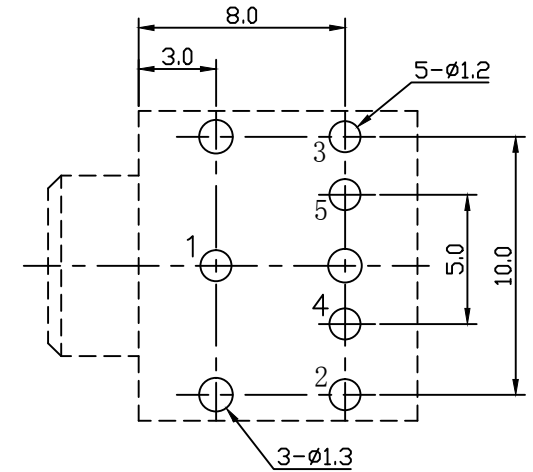
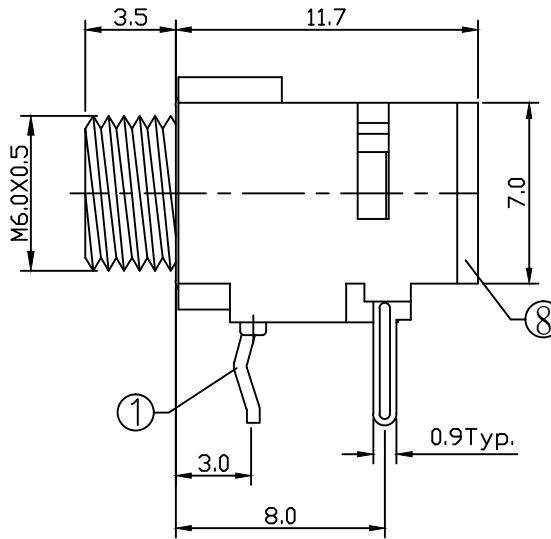
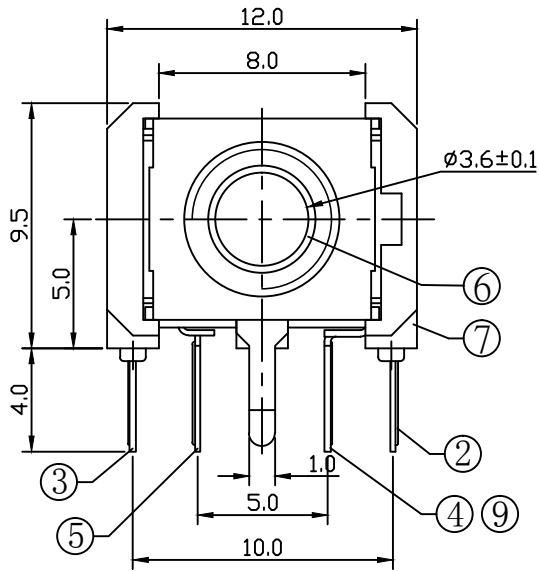
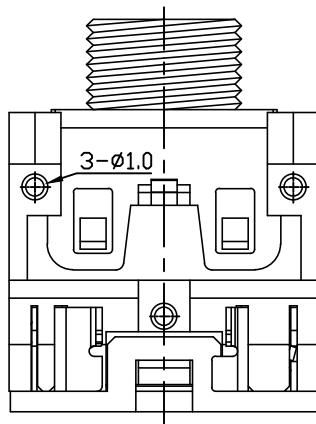


* RoHS COMPLIANT *

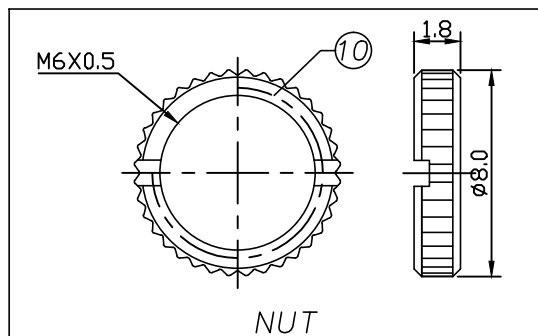
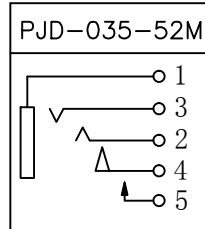
		* REVISIONS		
LTR	DESCRIPTION	DATE	REVISED	APPROVED



T:1.6 Dimensions of PC board holes
Tolerance : ±0.05(Printed-top view)



SCHMATIC



UNLESS OTHERWISE SPECIFIED, TOLERANCE ON DECIMAL:±0.3

10	NUT	1	H59(COPPER ALLOY)	Ni PLATED
9	INSULATOR	1	PA66	BLACK
8	COVER	1	PBT 4815	UL-94V0(BLACK)
7	HOUSING	1	PBT 4815	UL-94V0(BLACK)
6	AXIS SUPPORT	1	H59(COPPER ALLOY)	Ni PLATED
5	MAKE TERMINAL	1	C5191 t=0.25	Ag PLATED
4	TRANSFER TERMINAL	1	SUS301 t=0.20	Ag PLATED
3	RING SPRING	1	SUS301 t=0.25	Ag PLATED
2	TIP SPRING	1	C5191 t=0.25	Ag PLATED
1	EARTH TERMINAL	1	C2680 t=0.45	Sn PLATED

LTR	PART NAME	QTY	MATERIAL	REMARK
DWN	LILY	DATE	2019.10.07	3RD ANGLE PROJECTION NAME MINIATURE JACK CAT. NO. PJD-035-52M DWN.NO. F-035-52M
CHKD	ANDY	DATE	2019.10.07	
APVD	JON	DATE	2019.10.07	

JKCR Electronics Co., Ltd.