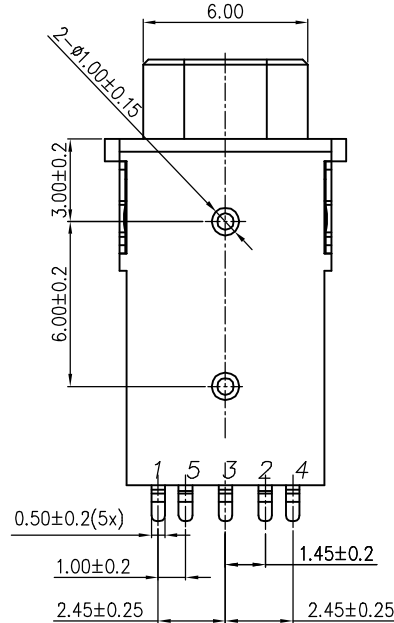
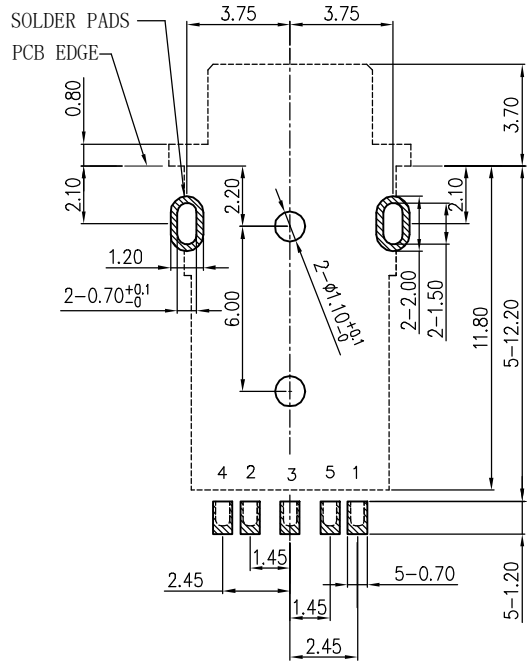
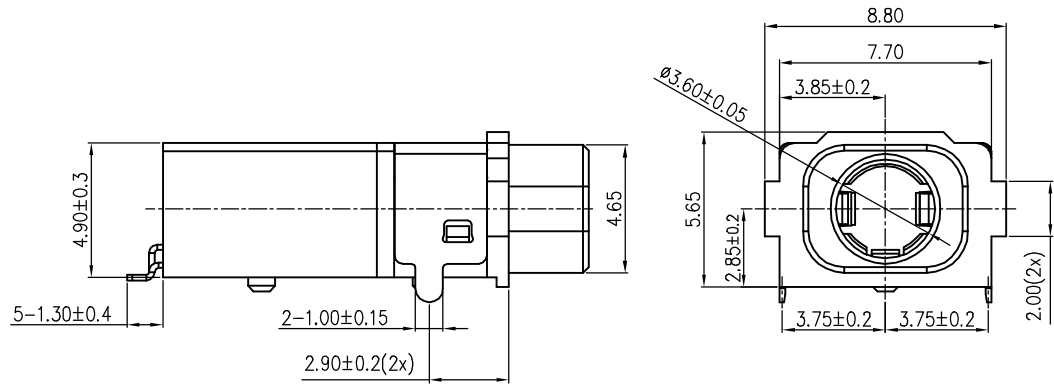
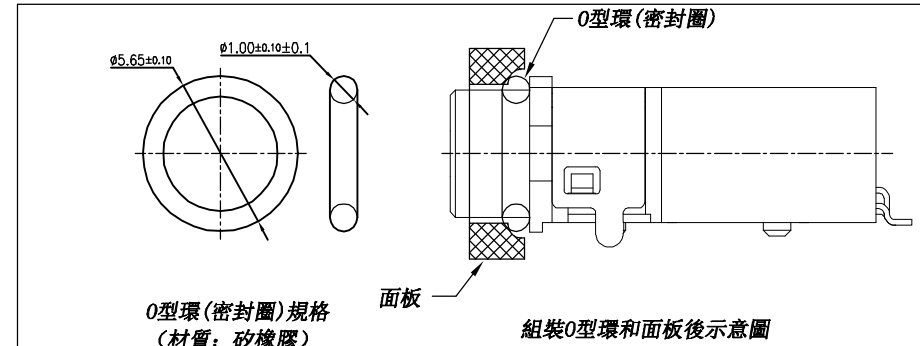
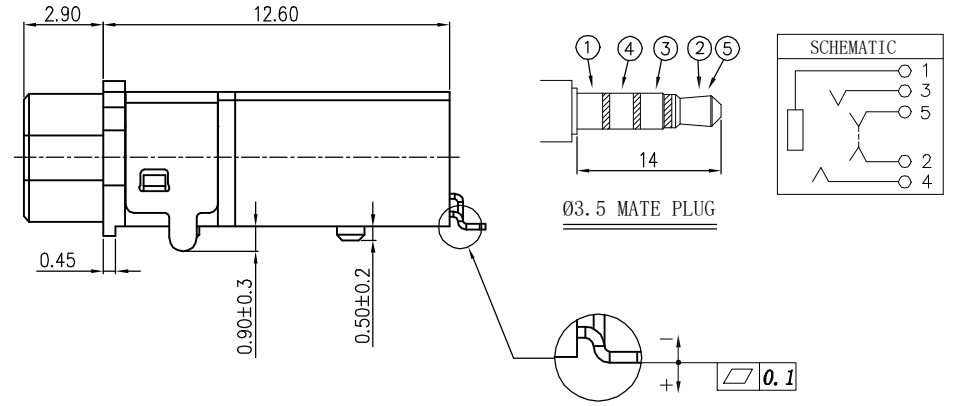


* RoHS COMPLIANT *



* REVISIONS				
LTR	DESCRIPTION	DATE	REVISED	APPROVED



NO.	DESCRIPTION	QTY	MATERIAL	REMARK
H	CONTACT 5#	1	C5210	GOLD FLASH
G	CONTACT 4#	1	C5210	GOLD FLASH
F	CONTACT 3#	1	C5210	GOLD FLASH
E	CONTACT 2#	1	C5210	GOLD FLASH
D	CONTACT 1#	1	C5210	GOLD FLASH
C	SHIELD	1	C5191	Ni PLATED
B	COVER	1	PA10T	BLACK
A	HOUSING BODY	1	PA10T	BLACK

DWN	LILY	DATE	2024.02.02	3RD ANGLE PROJECTION	NAME
CHKD	ANDY	DATE	2024.02.02		CAT. NO.
APVD	JON	DATE	2024.02.02		UNIT: mm

JKCR Electronics Co., Ltd.				DWN.NO.	B-035-382
					001

UNLESS OTHERWISE SPECIFIED, TOLERANCE ON DECIMAL: ±0.3