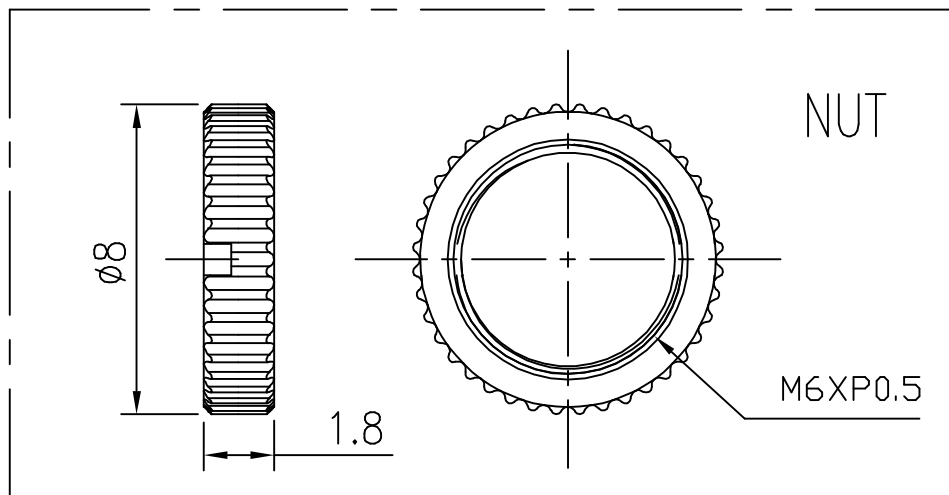
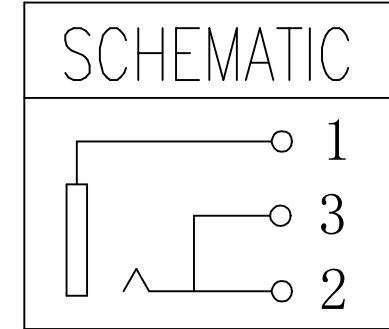
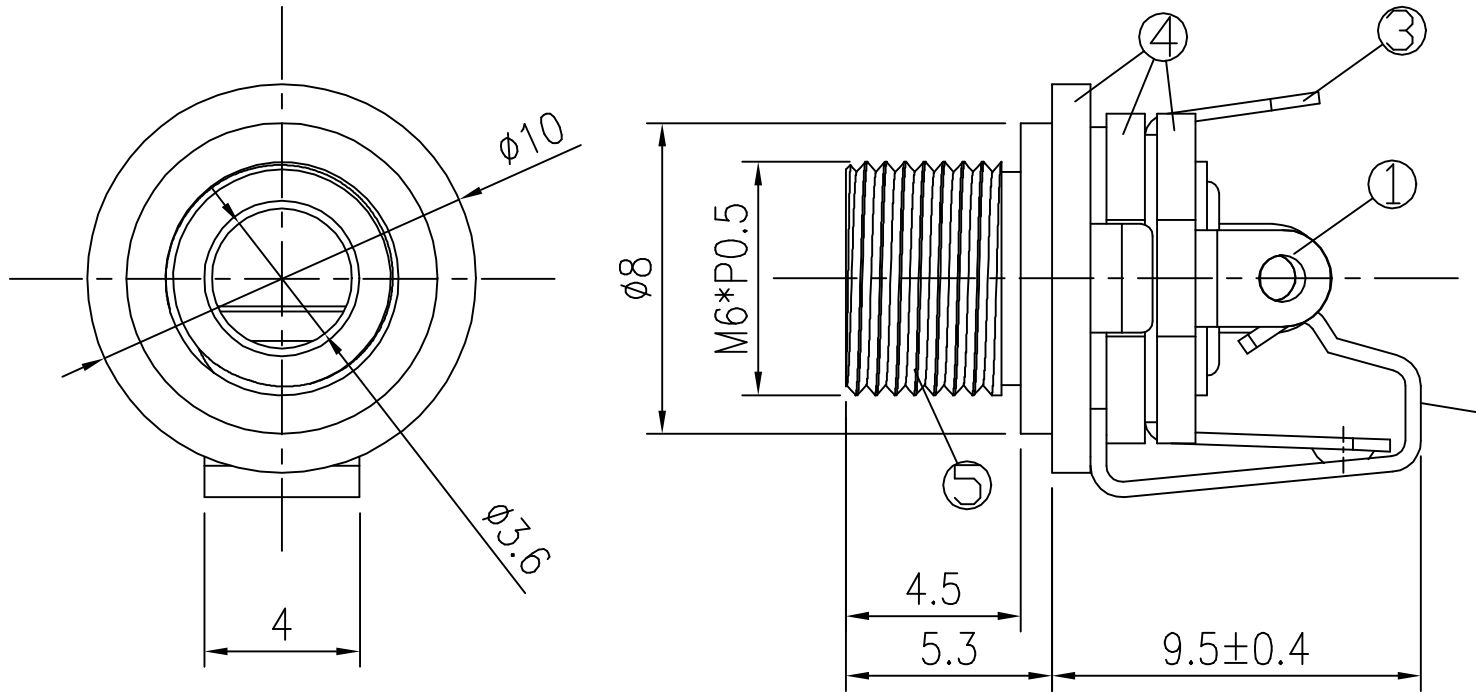


\* RoHS COMPLIANT \*

* REVISIONS				
LTR	DESCRIPTION	DATE	REVISED	APPROVED



6	NUT	1	H59(COPPER ALLOY)	Ni PLATED
5	AXIS SUPPORT	1	H59(COPPER ALLOY)	Ni PLATED
4	INSULATOR	3	PF	
3	CURVE PIECE	1	C2680 t=0.30	Ag PLATED
2	SPRING PIECE	1	C5191 t=0.40	Ag PLATED
1	FLAT PIECE	1	C2680 t=0.35	Ag PLATED

LTR	PART NAME		QTY	MATERIAL	REMARK
DWN	LILY	DATE	2022.11.29	3RD ANGLE PROJECTION	NAME MINIATURE JACK
CHKD	ANDY	DATE	2022.11.29		CAT. NO. PJD-035-362MS
APVD	JON	DATE	2022.11.29		UNIT: mm

UNLESS OTHERWISE SPECIFIED, TOLERANCE ON DECIMAL: ±0.3

JKCR Electronics Co., Ltd.

DWN.NO.  
B-035-362 002