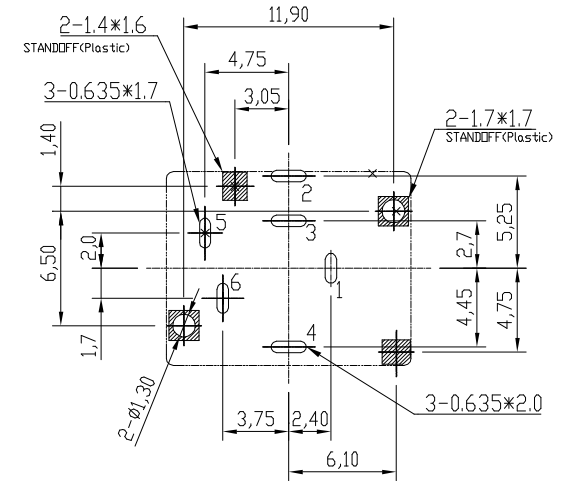
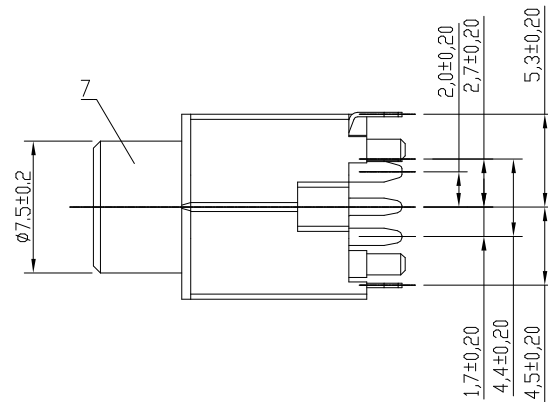
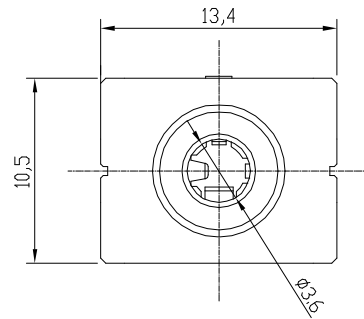
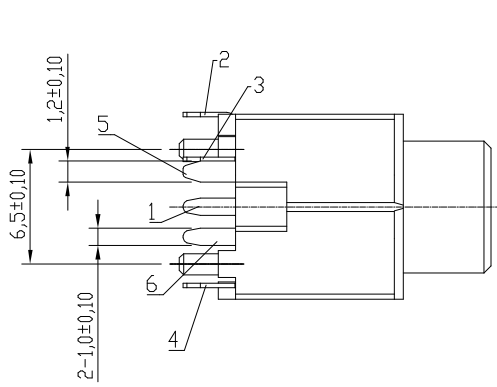


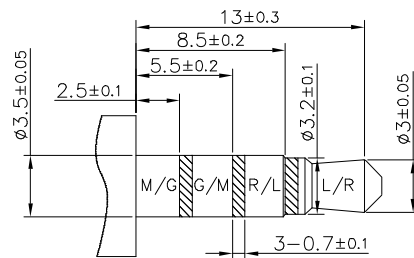
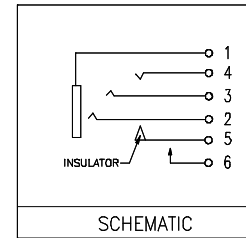
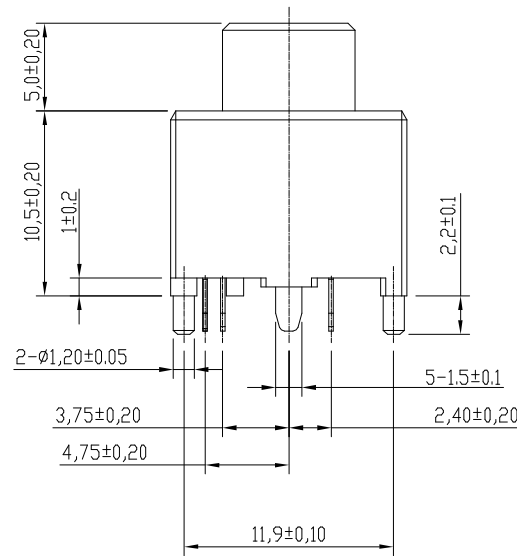
* RoHS COMPLIANT *

* REVISIONS

LTR	DESCRIPTION	DATE	REVISED	APPROVED



RECOMMENDED P.C.B. LAYOUT
UNSPECIFIED TOLERANCE: ±0.05
(TOP VIEW)



RECOMMENDED PLUG
Ø3.5 4-POLE STANDARD PLUG

UNLESS OTHERWISE SPECIFIED TOLERANCES

DECIMALS:	ANGLES:
X ± 0.3	X ± 1°
X.X ± 0.2	X.X ± 0.5°
X.XX ± 0.1	
X.XXX ± 0.05	

7	HOUSING	1	PA9T	UL 94V-0(BLACK)
6	TERMINAL 6#	1	C5210 T:0.25	0.5u" min GOLD ON CONTACT AREA; 0.5u" min GOLD ON SOLDER AREA; ALL OVER 30u" Ni.
5	TERMINAL 5#	1	C5210 T:0.25	
4	TERMINAL 4#	1	C5210 T:0.25	
3	TERMINAL 3#	1	C5210 T:0.25	
2	TERMINAL 2#	1	C5210 T:0.25	
1	TERMINAL 1#	1	C5210 T:0.25	

LTR	PART NAME	QTY	MATERIAL	REMARK
DWN	LILY	DATE	2023.08.28	NAME MINIATURE JACK CAT. NO. PJD-035-213ZAG DWN.NO. AA-035-213
CHKD	ANDY	DATE	2023.08.28	
APVD	JON	DATE	2023.08.28	
JKCR Electronics Co., Ltd.				UNIT: mm