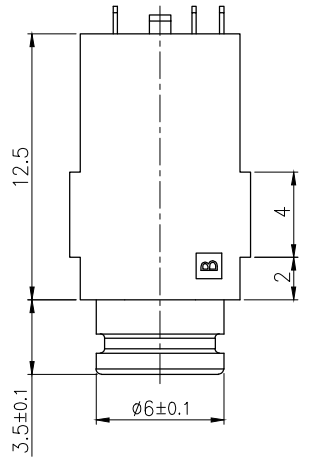
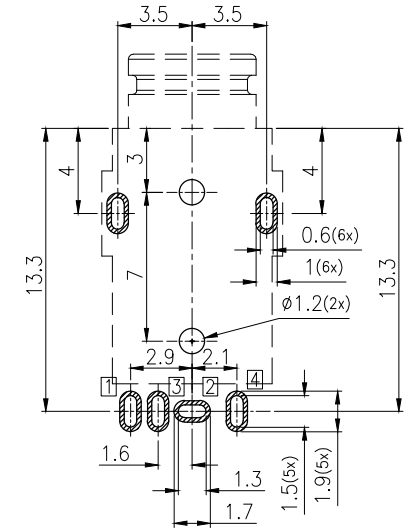
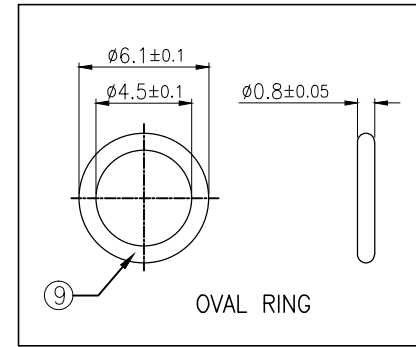


\* RoHS COMPLIANT \*

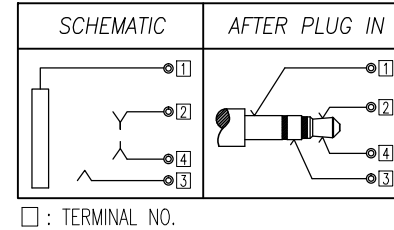
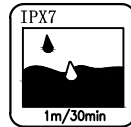
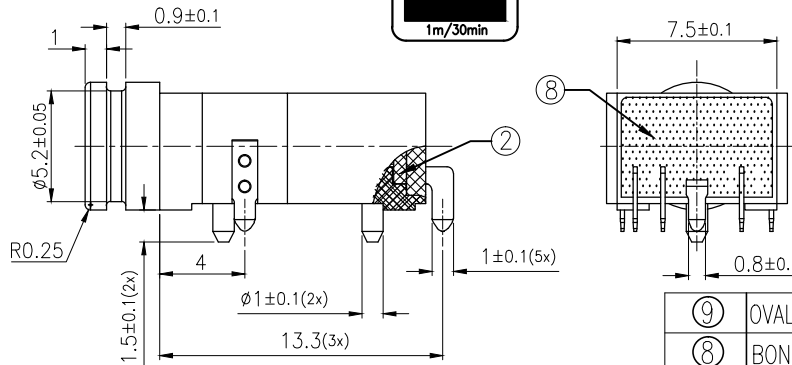
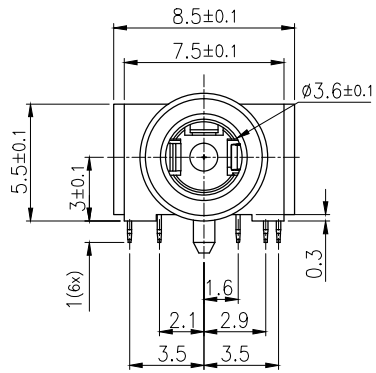
* REVISIONS				
LTR	DESCRIPTION	DATE	REVISED	APPROVED



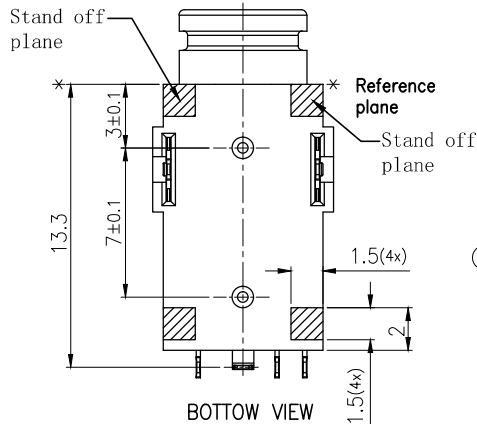
- SPECIFICATIONS:**
- 1.RATING: 12V, 1A .
  - 2.CONTACT RESISTANCE:30mΩ OR LESS FOR INITIAL
  - 3.VOLTAGE PROOF:500V AC FOR ONE MINUTE
  - 4.DURABILITY:5,000 INSERTION/EXTRACTION CYCLES
  - 5.INSETION FORCE:3.0KG MAX
  - 6.WITHDRAWAL FORCE:0.3KG MIN
  - 7.WATER PROOFNESS:THIS PRODUCT IS BASED ON IPX7(1m,30min)
  - 8.USING PLUG: Ø3.5MM, 3-POLE STEREO
  9. OVAL RING
  - 9-1. Hardness of silicone rubber:70°
  - 9-2. Horizontal flash 0.10mm max;Longitudinal flash 0.10mm max
  - 10.HOUSING WITH O-RING'S SEAL AREA BURRS IS 0.05mm MAX.
  - 11.FOR REFLOW SOLDERING LEAD-FREE PROCESS.
  - 12.PACKAGING: TAPE & REEL.



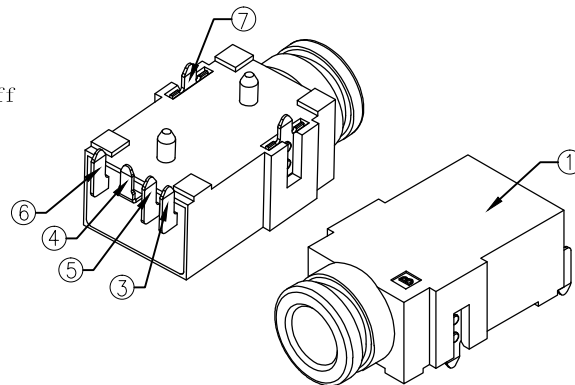
Recommended PCB Layout(T=1.2)  
Tolerance: ±0.05(TOP view)



□ : TERMINAL NO.



UNLESS OTHERWISE SPECIFIED, TOLERANCE ON DECIMAL: ±0.3



⑨	OVAL RING	1	SILICONE	GREEN
⑧	BOND	1	EPOXY	---
⑦	TERMINAL	2	C2680R-H T=0.2	Matte Sn 80u" Min; Ni 40u" Min underplate
⑥	TIP SPRING-2	4	C5210R-EH T=0.2	
⑤	RING SPRING	3	C5210R-EH T=0.2	
④	TIP SPRING-1	2	C5210R-EH T=0.2	
③	EARTH SPRING	1	C5210R-EH T=0.2	
②	COVER	1	PA9T+33%GF(GN2330)	UL 94V-0
①	HOUSING	1	PA9T+33%GF(GN2330)	UL 94V-0
ITEM	PART NAME	QTY	MATERIAL	REMARK
DWN	LILY	DATE	2018.05.25	3RD ANGLE PROJECTION
CHKD	ANDY	DATE	2018.05.25	
APVD	JON	DATE	2018.05.25	
JKCR Electronics Co., Ltd.				DWN.NO.
				S-035-198
				001

NAME  
**MINIATURE JACK**  
CAT. NO.  
PJD-035-198A  
DWN.NO.  
S-035-198