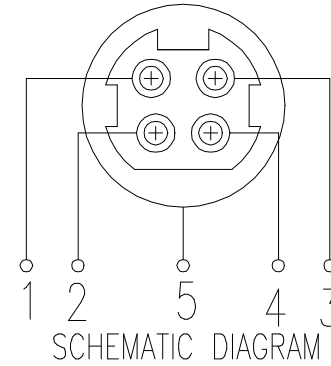
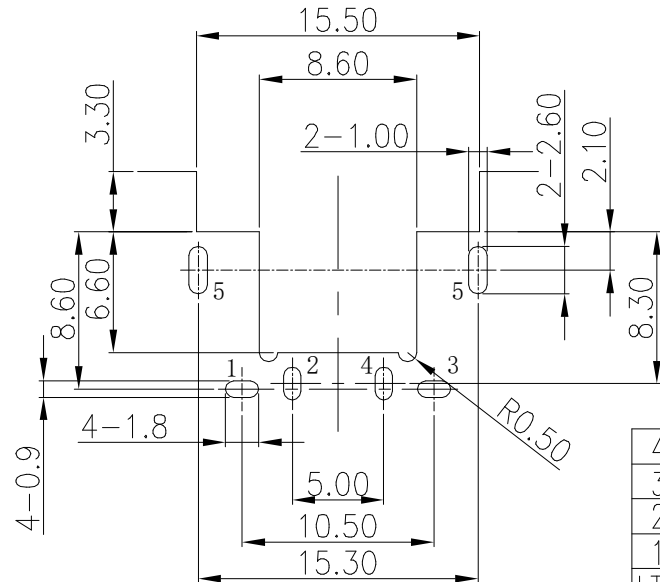
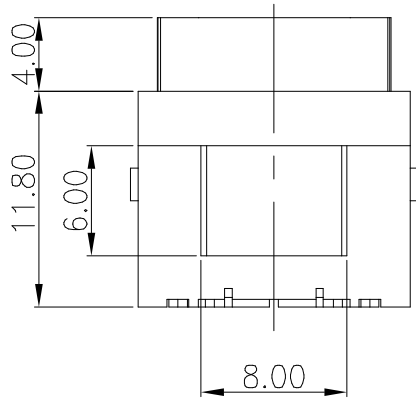
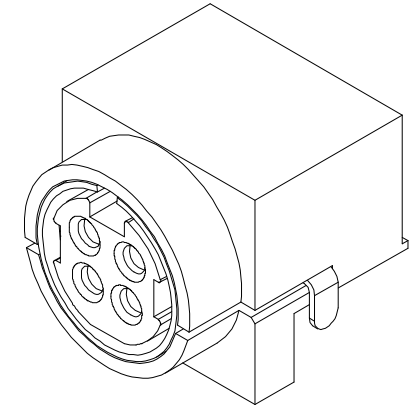
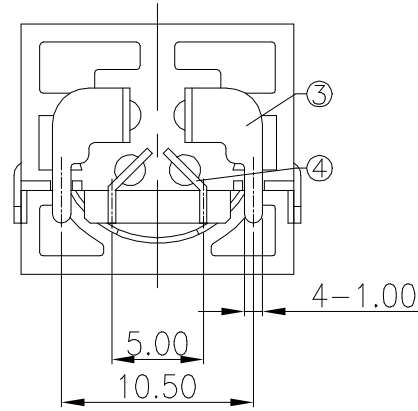
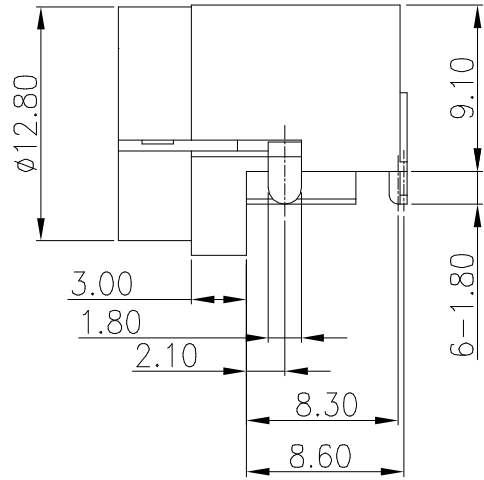
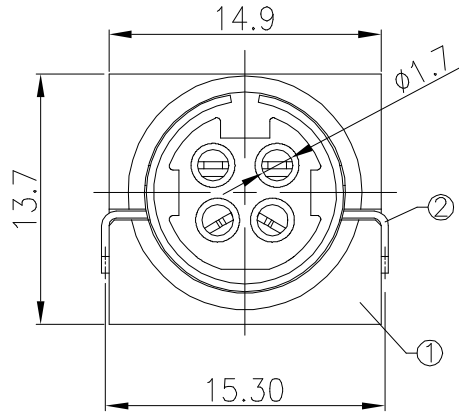


\* RoHS COMPLIANT \*

\* REVISIONS

LTR	DESCRIPTION	DATE	REVISED	APPROVED
-----	-------------	------	---------	----------



T:1.6 Dimensions of PC board holes  
Tolerance : ±0.05(Printed-Bottom view)

4	TERMINAL	2	C2680	t=0.4	Ag	PLATED
3	TERMINAL	2	C2680	t=0.4	Ag	PLATED
2	GROUND CONTACT	1	C2680	t=0.4	Cu/Sn	PLATED
1	HOUSING	1	PA9T			UL-94V0
LTR	PART NAME	QTY	MATERIAL	REMARK		
DWN	LILY	DATE	2023.02.21	3RD ANGLE PROJECTION	NAME POWER JACK QUICK LOCK	
CHKD	ANDY	DATE	2023.02.21		CAT. NO.	
APVD	JON	DATE	2023.02.21	UNIT: mm	MD-09079-4	
JKCR Electronics Co., Ltd.					DWN.NO.	B-09079
						001

UNLESS OTHERWISE SPECIFIED, TOLERANCE ON DECIMAL: ±0.3