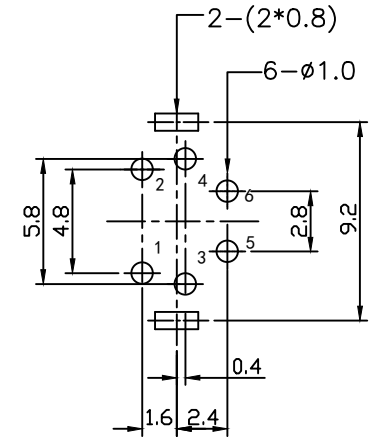
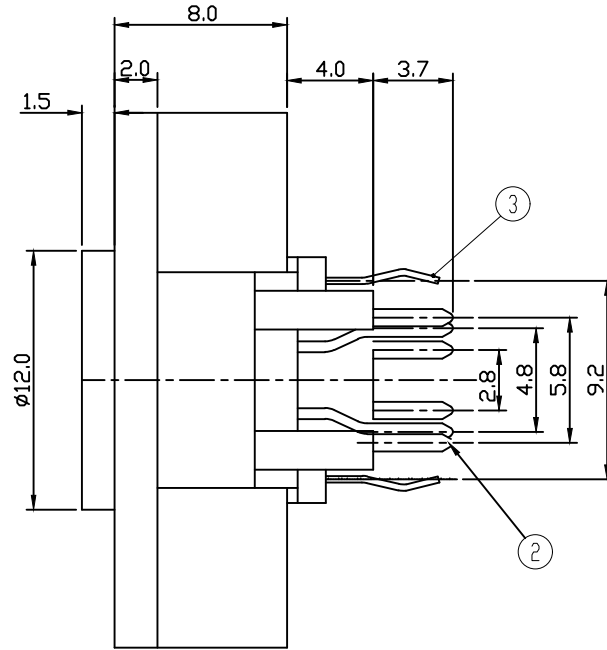
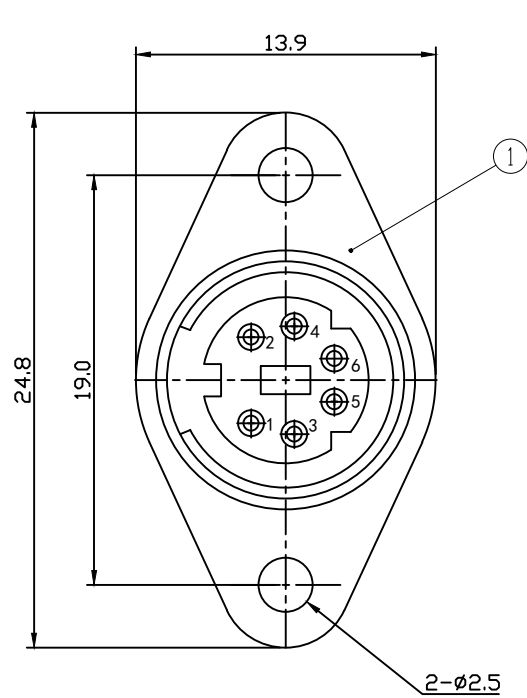


\* RoHS COMPLIANT \*

* REVISIONS				
LTR	DESCRIPTION	DATE	REVISED	APPROVED



T:1.6 Dimensions of PC board holes  
Tolerance :  $\pm 0.05$ (Printed-top view)

3	GROUND CONTACT	1	C2680	Cu/Sn PLATED
2	CONTACT FOOT	6	C5191	Ag PLATED
1	HOUSING	1	PBT 4815	UL-94V0(BLACK)
LTR	PART NAME	QTY	MATERIAL	REMARK
DWN	LILY	DATE	2013.10.11	3RD ANGLE PROJECTION NAME S JACK
CHKD	ANDY	DATE	2013.10.11	
APVD	JON	DATE	2013.10.11	
UNIT: mm				CAT. NO. MD-09014-6
JKCR Electronics Co., Ltd.				DWN.NO. B-09014
				001

UNLESS OTHERWISE TOLECIFIED TOLERANCE ON DECIMAL: $\pm 0.3$