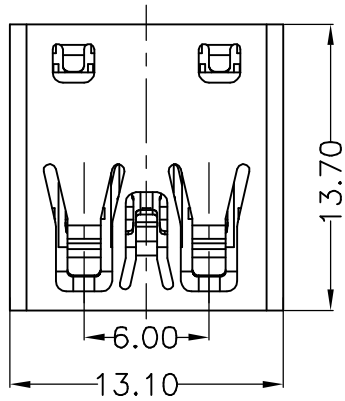


\* RoHS COMPLIANT \*

\* REVISIONS

LTR	DESCRIPTION	DATE	REVISED	APPROVED



Pin #	SIGNAL NAME	DESCRIPTION	MATING SEQUENCE
1	VBUS	POWER	SECOND
2	D-	USB 2.0 DIFFERENTIAL PAIR	THIRD
3	D+		
4	GND	GROUND FOR POWER RETURN	SECOND
5	StdA_SSRX-	SUPERSPEED RECEIVER DIFFERENTIAL PAIR	LAST
6	StdA_SSRX+		
7	GND_DRAIN	GROUND FOR SIGNAL RETURN	
8	StdA_SSTX-	SUPERSPEED TRANSMITTER DIFFERENTIAL PAIR	
9	StdA_SSTX+		
Shell	Shield	CONNECTOR METAL SHELL	FRIST

NOTE:

1.MATERIAL:

- 1.1 INSULATOR:HIGH TEMPERATURE PLASTIC UL 94 V-0;BLUE
- 1.2 CONTACT:COPPER ALLOY(T=0.20mm)
- 1.3 SHELL:BRASS(T=0.30mm)

2.ELECTRICAL CHARACTERISTICS;

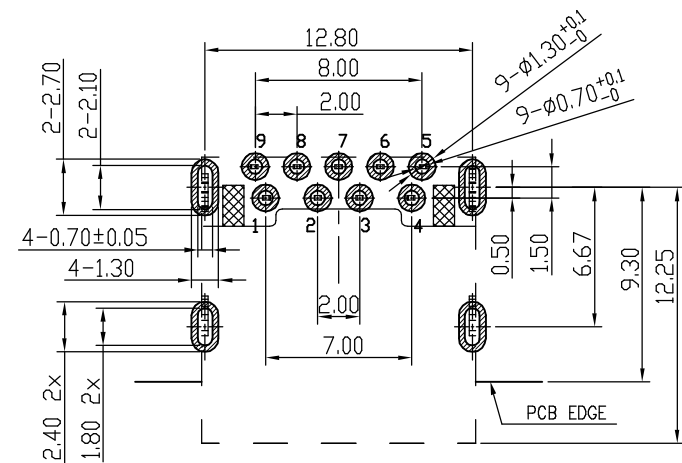
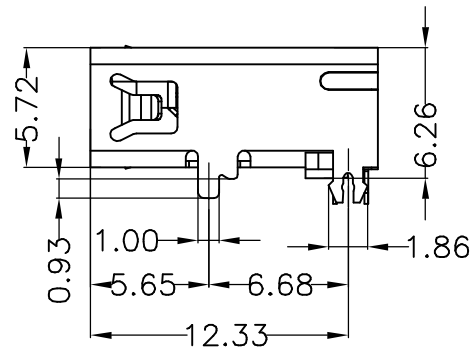
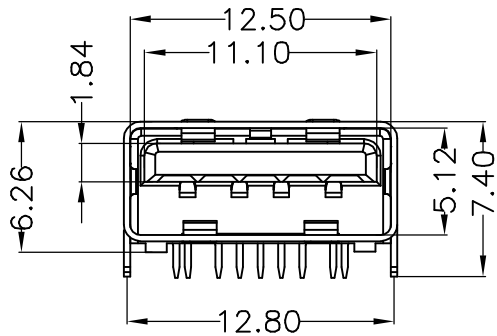
- 2.1 CONTACTRESISTANCE:30mΩ Max
- 2.2 CONTACT CURRENT RATING:1.5A
- 2.3 DIELECTRIC WITHSTANDING VOLTAGE:500 V R.M.S.
- 2.4 INSULATION RESISTANCE 100 MEGOHMS Min
- 2.5 OPERATING TEMPERATURE:-40°C ~ 85°C

3 MECHANICAL CHARACTERISTICS:

- 3.1 MATING FORCE:35 N Min
- 3.2 UNMATED FORCE:10 N Min INITIAL; 8 N Min AFTER TEST
- 3.3 DURABILITY:5,000 CYCLES

4.PLATING

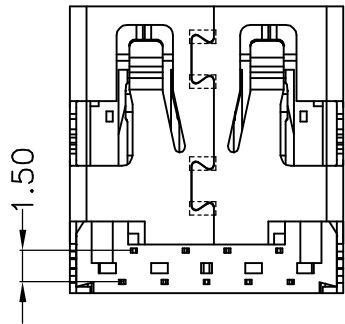
- 4.1 TERMINAL CONTACT:G/F PLATING ALL OVER 30u" MIN NICKEL AND 80u"MIN Tin ALL OVER 30u" MIN NICKEL ON SOLDER AREA
- 4.2 SHELL:50u"MIN.NICEL ALL OVER



TOLERANCE: ±0.05, THICKNESS: 1.2mm  
RECOMMENDED PCB LAYOUT

(TOP VIEW)

KEEP OUT AREA



UNLESS OTHERWISE SPECIFIED, TOLERANCE ON DECIMAL: ±0.3

DWN	LILY	DATE	2023.10.13	3RD ANGLE PROJECTION	NAME	USB3.0 AF 板上DIP H=6.26銅殼插腳
CHKD	ANDY	DATE	2023.10.13		CAT. NO.	JCU3-C-104011452-00
APVD	JON	DATE	2023.10.13	UNIT: mm	DWN.NO.	JBL-C-104011452-00
JKCR Electronics Co., Ltd.						001