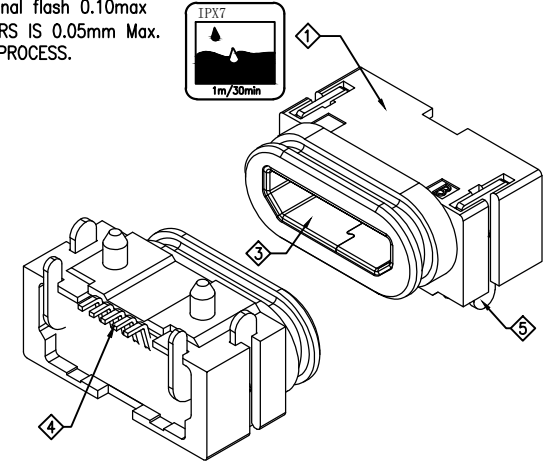
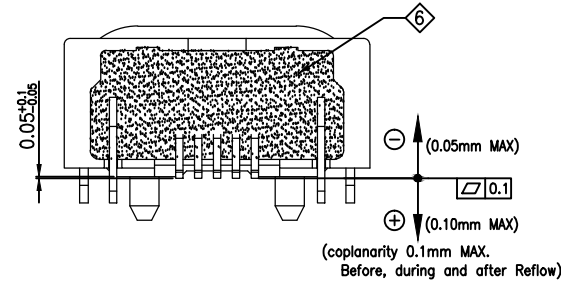
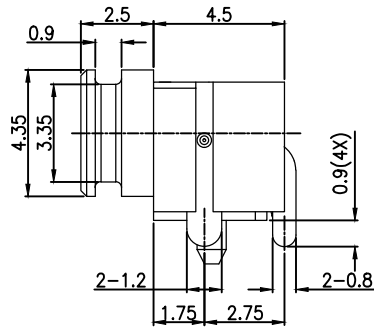
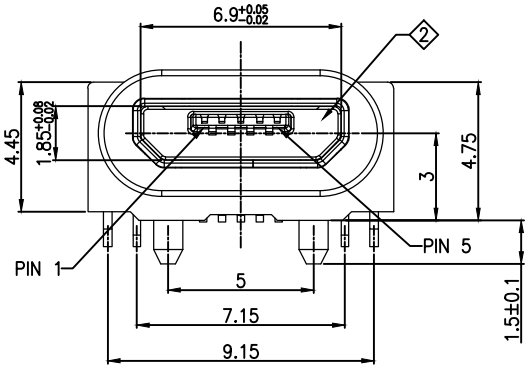
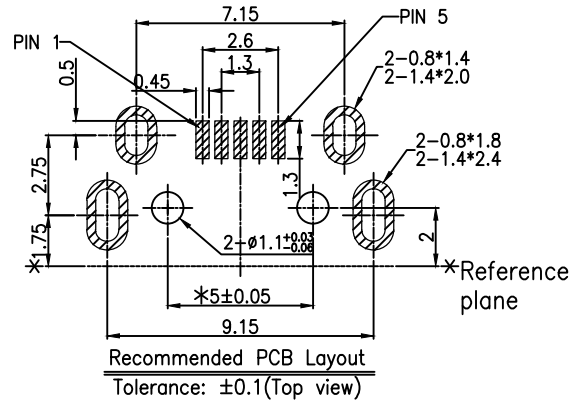
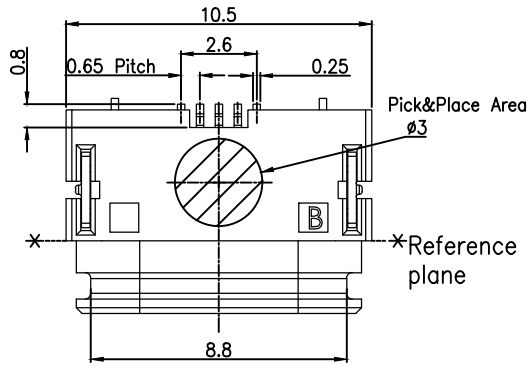
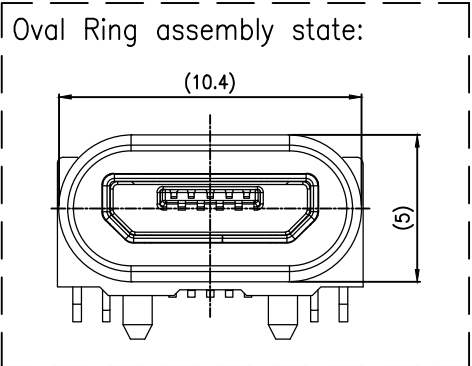


\* HALOGEN FREE \*



SPECIFICATIONS:

- ELECTRICAL CHARACTERISTICS:
  - RATING: 1.8A (PIN1/5), 0.5A (PIN2/3/4)
  - CONTACT RESISTANCE: 30mΩ MAX.(INITIAL)
  - DIELECTRIC WITHSTANDING VOLTAGE: 300V AC FOR ONE MINUTE.
  - INSULATION RESISTANCE: 100MΩ MIN. MEASURED BY 500 VDC
- MECHANICAL CHARACTERISTICS:
  - INSERTION FORCE : 3.6 KGF (MAX)
  - WITHDRAWAL FORCE : 0.8 KGF(Reference)
- DURABILITY: 10,000 CYCLES .
- WATER PROOFNESS:THIS PRODUCT IS BASED ON IPX7(1m,30min)
- PLUG INTERFACE DIMENSIONS COMFORM TO USB2.0 SPEC.
- OVAL RING
  - The amount of low molecular siloxanes(D3~D10)is less than 200ppm
  - Hardness of silicone rubber:70°
  - Horizontal flash 0.1max;Longitudinal flash 0.10max
- BODY WITH O-RING'S SEAL AREA BURRS IS 0.05mm Max.
- FOR REFLOW SOLDERING LEAD-FREE PROCESS.
- PACKAGING: TAPE & REEL.



Note:Waterproof ring need not assembled on the product, to form a complete set of product shipped separately.

UNLESS OTHERWISE SPECIFIED, TOLERANCE ON DECIMAL:±0.3

* REVISIONS		LTR	DESCRIPTION	DATE	REVISED	APPROVED

⑥	BOND	1		
⑤	TERMINAL	2	SPCC T=0.3	MB:Cu, Sn PLATED
④	CONTACT	5	Copper Alloy T=0.20	GOLD FLASH ON CONTACT AREA TIN PLATING ON SOLDERING AREA ALL OVER NI PLATING
③	SHELL	1	Stainless Steel T=0.25	Ni PLATED
②	INSERT MOLDING	1	LCP(BLACK)	UL-94V-0
①	HOUSING	1	PA9T(BLACK)	UL-94V-0
ITEM	PART NAME	QTY	MATERIAL	REMARK
DWN	LILY	DATE	2018.05.25	3RD ANGLE PROJECTION NAME Mirco USB Waterproof Connector CAT. NO. JCU05-01BGF DWN.NO. S-05-01BGF
CHKD	ANDY	DATE	2018.05.25	
APVD	JON	DATE	2018.05.25	
JKCR Electronics Co., Ltd.				001