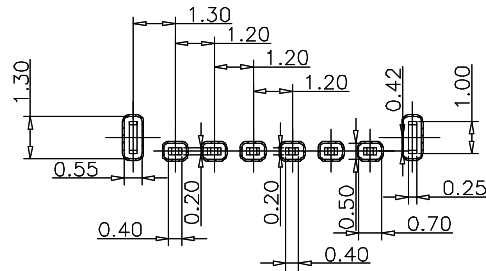
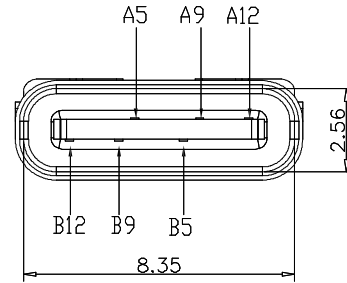
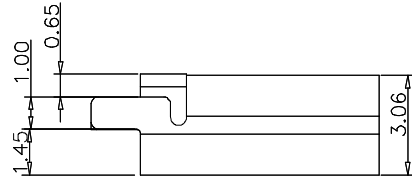
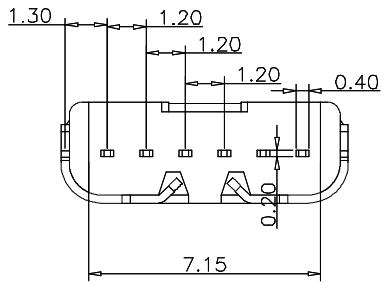
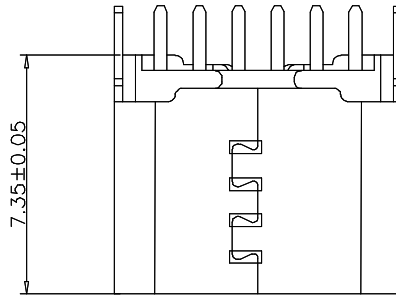
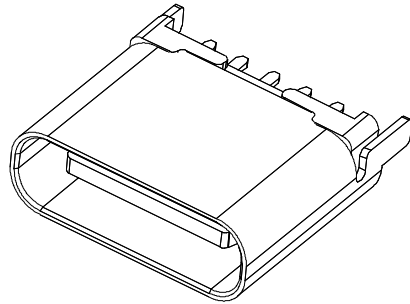
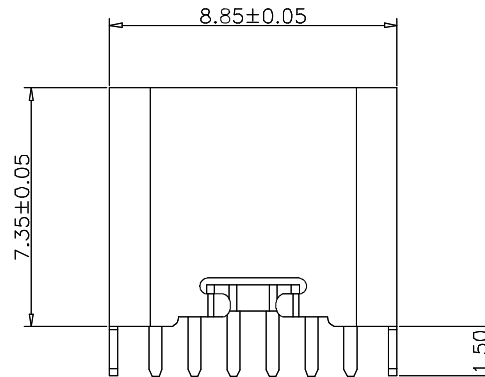


* RoHS COMPLIANT *

* REVISIONS				
LTR	DESCRIPTION	DATE	REVISED	APPROVED



RECOMMEND P.C.B LAYOUT (COMPONENT SIDE)
TOLERANCE FOR PCB LAYOUT IS ±0.05



NOTE:

1. MATERIAL SPECIFICATION:
 - 1-1. HOUSING: HIGH TEMPERATURE RESISTANT PLASTIC, UL94 V-0 BLACK.
 - 1-2. CONTACTS: BRASS
 - 1-3. SHIELDING PLATE: STAINLESS STEEL
 - 1-4. FRONT SHELL: STAINLESS STEEL
2. PLATING SPECIFICATION:
 - 2-1. CONTACTS: Ni 50u" MIN. UNDER PLATED OVER ALL. Au PLATED ON THE FUNCTIONAL AREA OF CONTACT. (GOLD PLATING THICKNESS FOLLOW THE P/N)
 - 2-2. FRONT SHELL: Ni 30u" MIN. UNDER PLATED OVER ALL.
3. MECHANICAL PERFORMANCE,
 - 3-1. INSERTION FORCE: 0.5~2.0kgf.
 - 3-2. REMOVAL FORCE: 0.8kgf~2.0kgf.
 - 3-3. DURABILITY: 5000 CYCLES.
4. ELECTRICAL PERFORMANCE,
 - 4-1. CURRENT RATING: 3.0A
VOLTAGE RATING: 5.0V
 - 4-2. LLCR: VBUS & GND PINS AND OTHER PINS: 40mΩ/PIN MAX. SHIELD: 50mΩ/MAX. LLCR MAX. CHANGE OF ALL PINS: 10mΩ.
 - 4-3. INSULATION RESISTANCE: 100MΩ MIN
 - 4-4. DIELECTRIC WITHSTAND VOLTAGE, AC 100V FOR 1 MINUTE.
5. ENVIRONMENTAL PERFORMANCE: OPERATING TEMPERATURE: -25°C~+85°C.
6. IR REFLOW: THE PEAK TEMPERATURE ON THE BOARD SHALL BE MAINTAINED FOR 10 SECONDS AT 260°C.

UNLESS OTHERWISE SPECIFIED, TOLERANCE ON DECIMAL: ±0.3

DWN	LILY	DATE	2021.10.25	3RD ANGLE PROJECTION	NAME C TYPE 母座單排6PIN 直立式SMT L=7.4mm
CHKD	ANDY	DATE	2021.10.25		CAT. NO. JCU-Z23W43-06F-01
APVD	JON	DATE	2021.10.25	UNIT: mm	DWN.NO. JCU-Z23W43-06F-01
JKCR Electronics Co., Ltd.					001