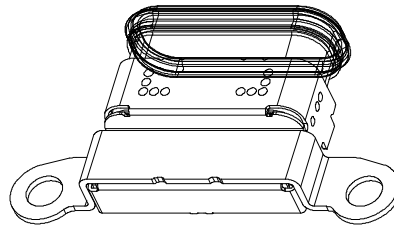
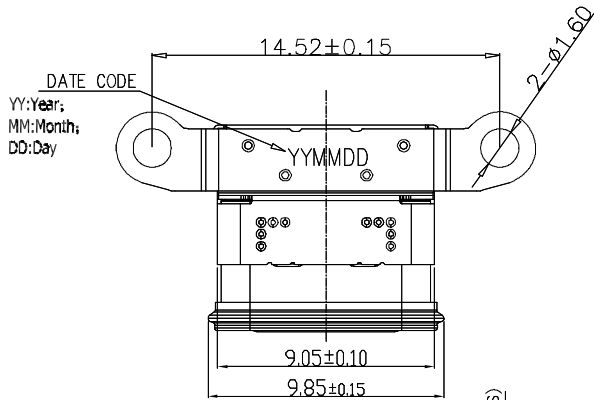
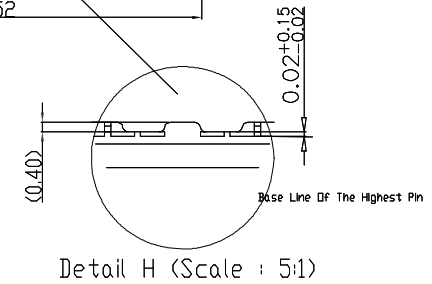
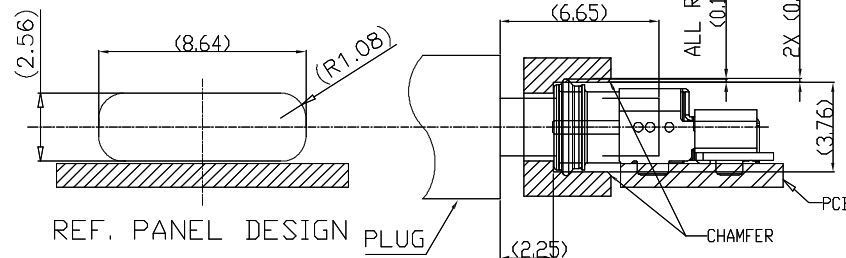
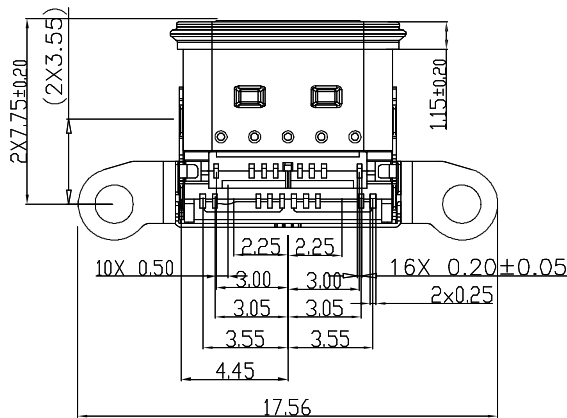
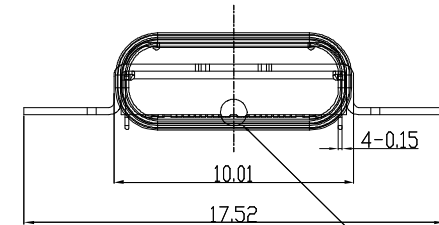
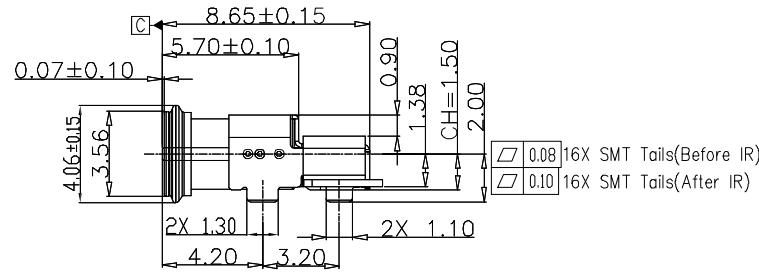
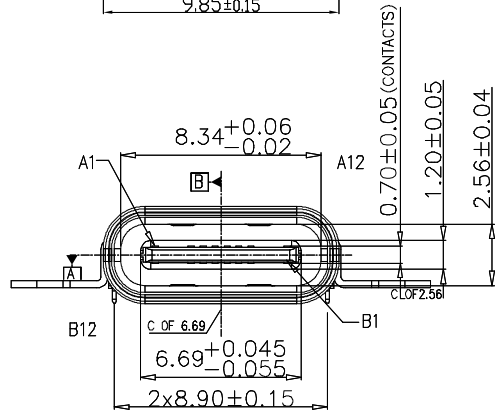


\* RoHS COMPLIANT \*



* REVISIONS				
LTR	DESCRIPTION	DATE	REVISED	APPROVED

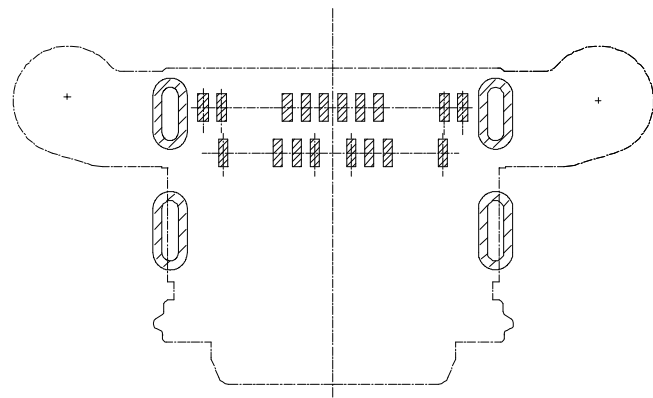
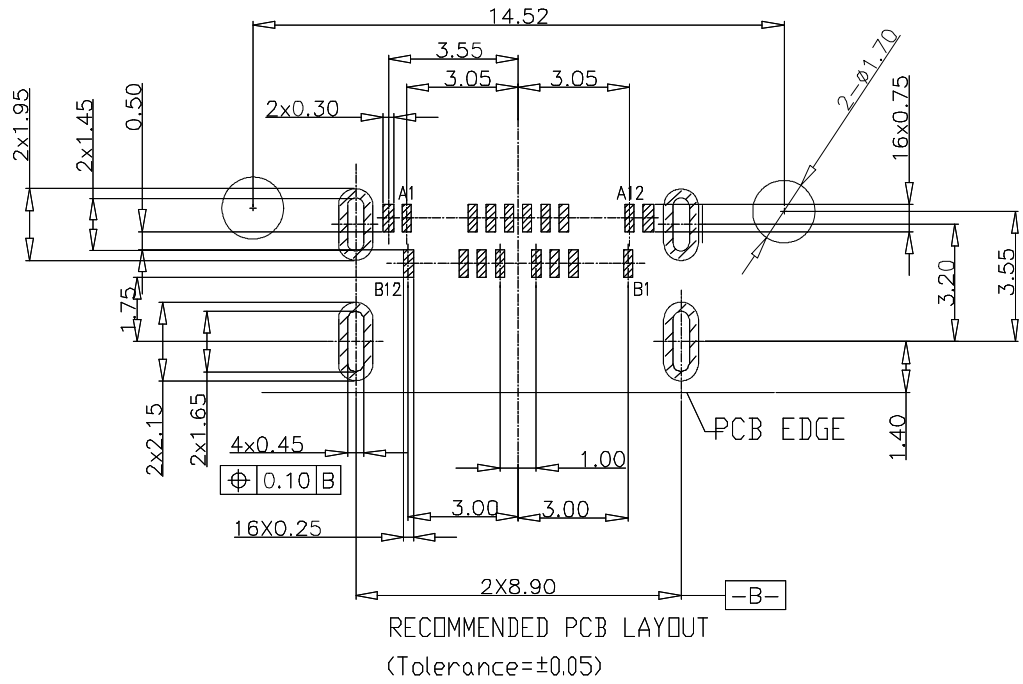
Pin No	Signal Name	Mating Sequence	Pin No	Signal Name	Mating Sequence
A1	GND	First	B12	GND	First
A4	Vbus	First	B9	Vbus	First
A5	CC1	Second	B8	SBU2	Second
A6	D+	Second	B7	D-	Second
A7	D-	Second	B6	D+	Second
A8	SBU1	Second	B5	CC2	Second
A9	Vbus	First	B4	Vbus	First
A12	GND	First	B1	GND	First
SHELL GND			SHELL GND		



UNLESS OTHERWISE SPECIFIED, TOLERANCE ON DECIMAL: ±0.3

DWN	LILY	DATE	2023.08.07	3RD ANGLE PROJECTION	NAME	USB 3.1 C TYPE FEMALE TOP CONNECTOR CH1.5 WL0.07
CHKD	ANDY	DATE	2023.08.07		CAT. NO.	JCU-JDR-USCF053-S008-4
APVD	JON	DATE	2023.08.07		UNIT: mm	
JKCR Electronics Co., Ltd.					DWN.NO.	KQ-JDR-USCF053-S008-4 001

\* RoHS COMPLIANT \*

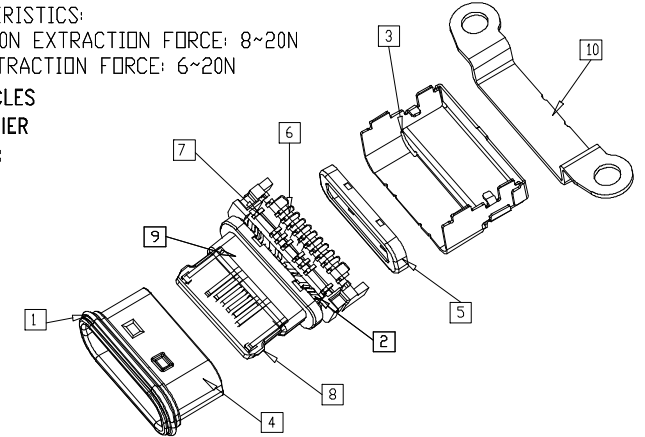


\* REVISIONS

LTR	DESCRIPTION	DATE	REVISED	APPROVED

NOTES

- MATERIAL : SEE TABLE/
- GENERAL SPECIFICATION
  - COPLANARITY : 0.10 Max.
  - CURRENT RATING: 5A
  - CONTACT RESISTANCE: 40mΩ MAX (INITIAL),  
INSULATION RESISTANCE:100MΩ Min
  - DIELECTRIC WITHSTANDING VOLTAGE: 100 VAC
  - MECHANICAL CHARACTERISTICS:  
INSERTION FORCE: 5~20N EXTRACTION FORCE: 8~20N  
AFTER DURABILITY EXTRACTION FORCE: 6~20N
  - DURABILITY: 10000 CYCLES
  - PACKAGING TYPE: CARRIER
- WATERPROOF CLASS IPX8



10	馬甲	1	SUS304	鍍銀
9	塑膠	1	PA46	黑色
8	中板	1	SUS301	鍍銀
7	下排端子	1SET	C18400	鍍金
6	上排端子	1SET		
5	EMI拉伸殼	1	SUS304	鍍銀
4	內拉伸殼	1	SUS316	清洗
3	外殼	1	SUS304	鍍銀
2	膠水	1	環氧膠	黑色
1	密封圈	1	硅膠	黑色
LTR	PART NAME	QTY	MATERIAL	REMARK

DWN	LILY	DATE	2023.08.07	3RD ANGLE PROJECTION	NAME	USB 3.1 C TYPE FEMALE TOP CONNECTOR CH1.5 WL0.07
CHKD	ANDY	DATE	2023.08.07		CAT. NO.	JCU-JDR-USCF053-S008-4
APVD	JON	DATE	2023.08.07	UNIT: mm	DWN.NO.	KQ-JDR-USCF053-S008-4
JKCR Electronics Co., Ltd.						001