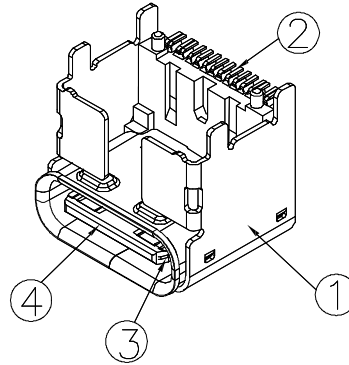
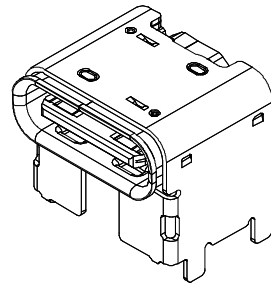
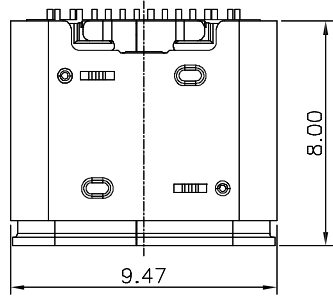


* RoHS COMPLIANT *

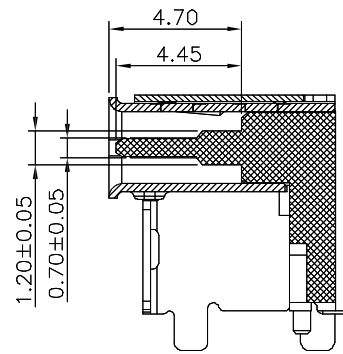
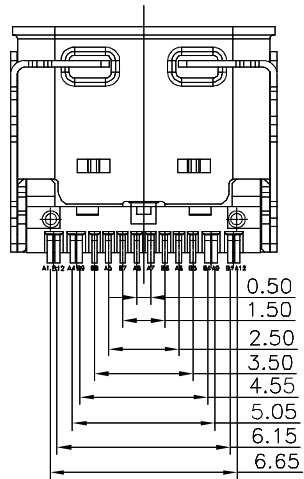
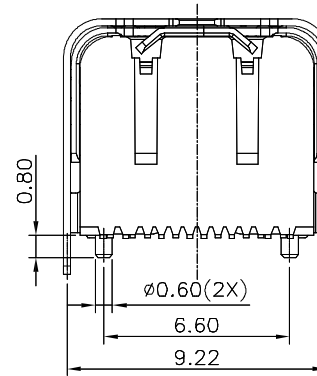
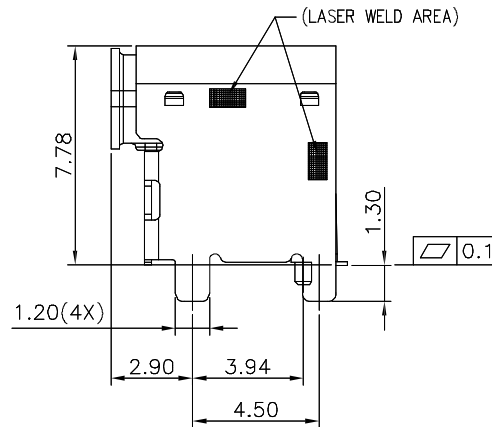
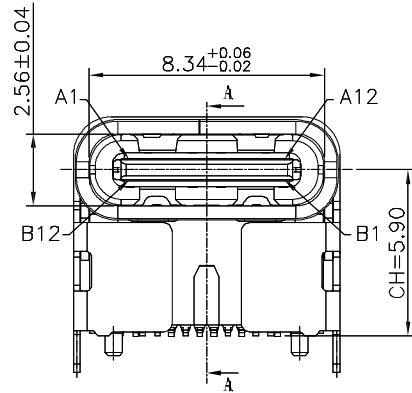
* REVISIONS

LTR	DESCRIPTION	DATE	REVISED	APPROVED
-----	-------------	------	---------	----------



NOTE:

- Electrical Characteristics:
 - 1-1: Current Rating: 5A For Pin(A4,A9,B4,B9)
1.25A For Pin(B5)
0.25A For Others Pin
 - 1-2: VOLTAGE RATING:5.0V
 - 1-3: Insulation Resistance: 100MΩ Min.
 - 1-4: Contact Resistance:
VBUS & GND PINS AND OTHER PINS: 40mΩ/PIN MAX.
SHIELD:50mΩ/MAX.
SHIELD:LLCR MAX. CHANGE OF ALL PINS: 10mΩ.
 - 1-5: Dielectric Withstanding Voltage: 100V/AC 1Minute
- Mechanical Characteristics:
 - Insertion Force: 5~20N
 - Extraction Force: Initial: 8~20N
After durability: 6~20N
 - Durability :10000 Cycles
- Operating Temperature: -25°C TO +85°C



SECTION A-A
SCALE 1:1

UNLESS OTHERWISE SPECIFIED, TOLERANCE ON DECIMAL: ±0.3

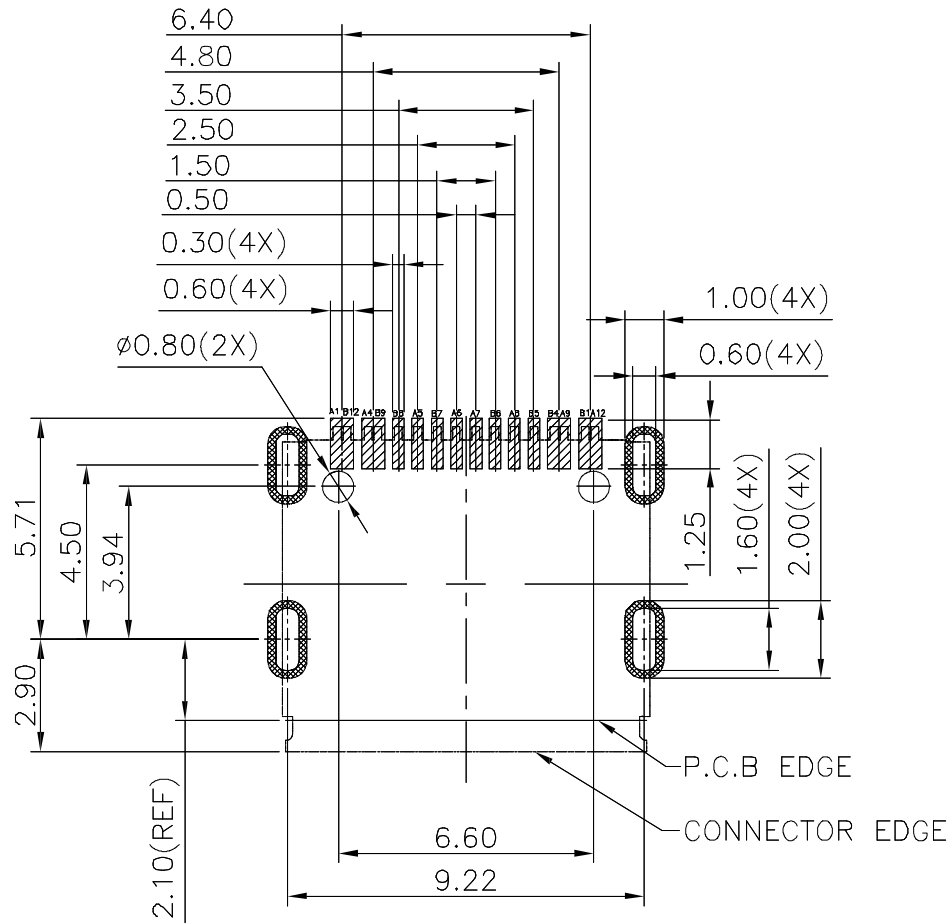
TABLE:

NO	PART	Q'TY	Material		
1	SHELL	1	STAINLESS STEEL, Ni PLATED 30u"Min		
2	CONTACT	16	COPPER STEEL, Ni 50u"Min; Au u"		
3	MID PLATE	1	STAINLESS STEEL, NO PLATING		
4	MD HOUSING	1	HIGH TEMPERATURE RESISTANT PLASTIC BLACK UL94 V-0		
DWN	LILY	DATE	2022.07.29	3RD ANGLE PROJECTION	
CHKD	ANDY	DATE	2022.07.29		
APVD	JON	DATE	2022.07.29	UNIT: mm	
JKCR Electronics Co., Ltd.				NAME USB TYPE C 16P母座 SMT 墊高4.3 CH5.9	
				CAT. NO. JCU-JDR-USCF030-S008	
				DWN.NO. KQ-JDR-USCF030-S008	
				001	

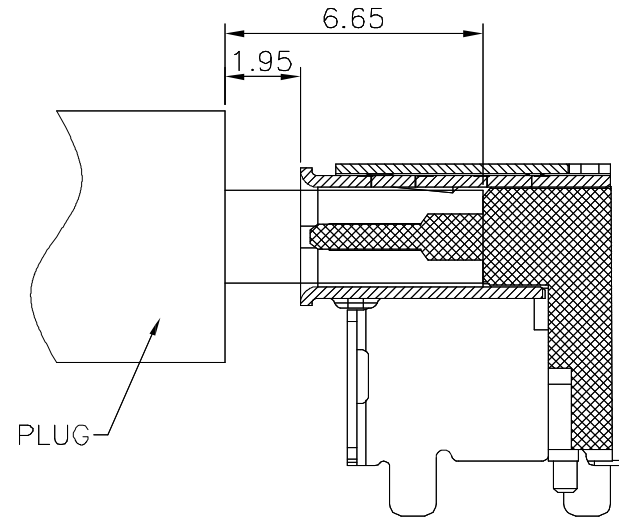
* RoHS COMPLIANT *

* REVISIONS

LTR	DESCRIPTION	DATE	REVISED	APPROVED



RECOMMENDED PCB LAYOUT(TOP VIEW)



AFTER MATING

USB TYPE C PIN ASSIGNMENTS

PIN NUMBER	SIGNAL NAME	PIN NUMBER	SIGNAL NAME
A1	GND	B12	GND
A4	VBUS	B9	VBUS
A5	CC1	B8	SUB2
A6	Dp1	B7	Dn2
A7	Dn1	B6	Dp2
A8	SBU1	B5	CC2
A9	VBUS	B4	VBUS
A12	GND	B1	GND

UNLESS OTHERWISE SPECIFIED, TOLERANCE ON DECIMAL: ±0.3

DWN	LILY	DATE	2022.07.29	3RD ANGLE PROJECTION	NAME	USB TYPE C 16P 母座
CHKD	ANDY	DATE	2022.07.29		CAT. NO.	SMT 墊高4.3 CH5.9
APVD	JON	DATE	2022.07.29	UNIT: mm	JCU-JDR-USCF030-S008	
JKCR Electronics Co., Ltd.					DWN.NO.	KQ-JDR-USCF030-S008