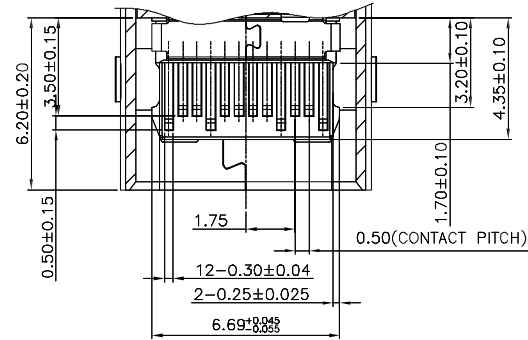
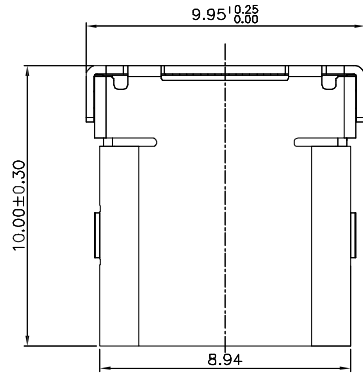


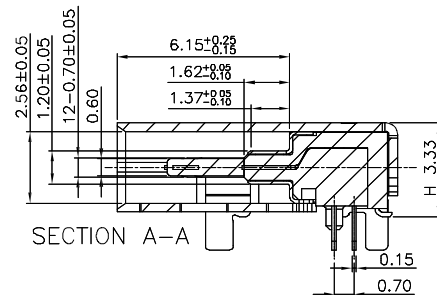
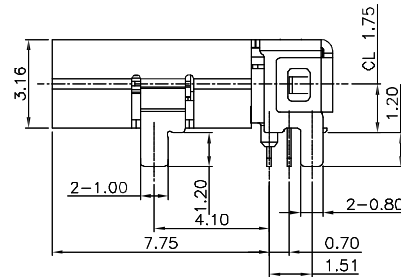
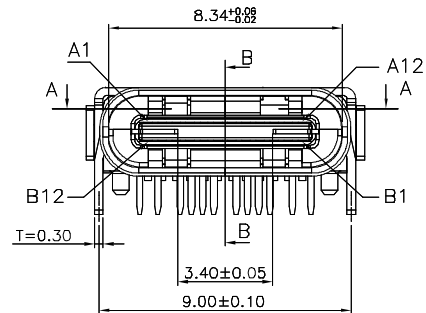
* RoHS COMPLIANT *

* REVISIONS

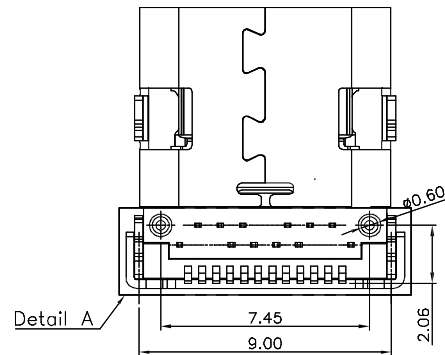
LTR	DESCRIPTION	DATE	REVISED	APPROVED



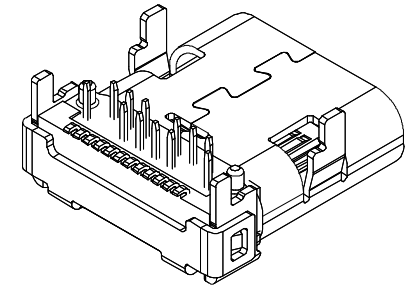
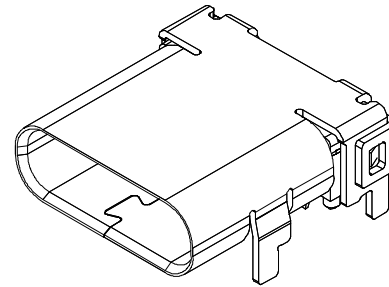
SECTION B-B



SECTION A-A



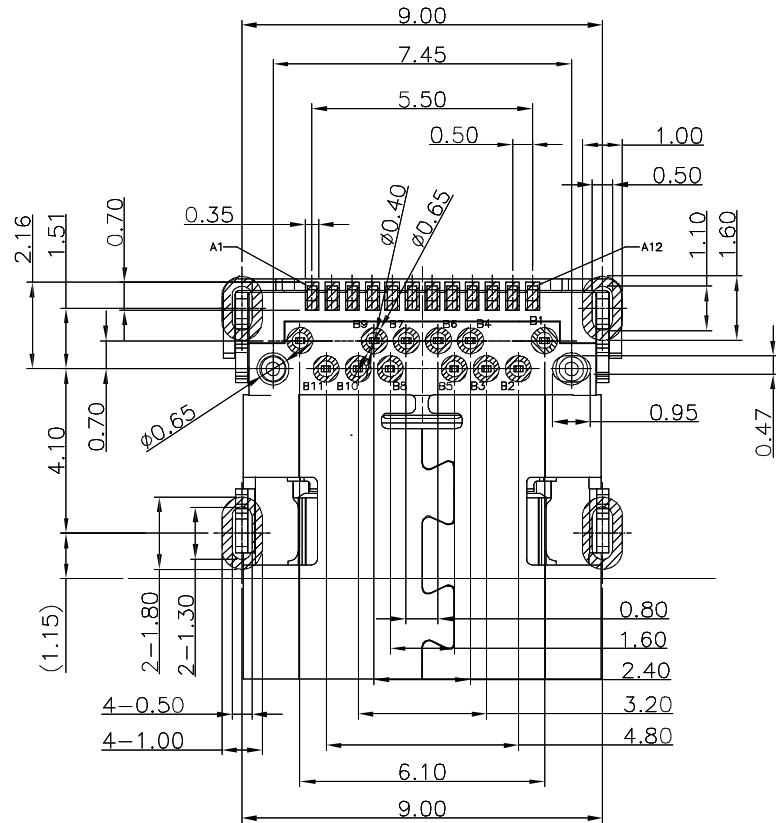
- NOTES:
- MATERIAL:
 - MOLDING: LCP UL94 V-0
 - CONTACT: COPPER ALLOY.
 - GOLD PLATED Min ON CONTACT AREA, 100u"
 - Min TIN (LEAD FREE) ON SOLDER AREA,
 - SHELL: SUS304-H,T=0.30±0.03mm
 - 50u" NICKEL PLATING OVER ALL.
 - SHILD: SUS304-H,T=0.12±0.03mm
 - MECHANICAL:
 - INSERTION: 5~20N.
 - EXTRACTION: 8~20N AFTER TEST.
 - DURABILITY: 10000 CYCLES
 - ELECTRICAL:
 - CURRENT: 5A FOR VBUS;
 - 1.25A FOR GND PIN.
 - 0.25A FOR OTHER.
 - VOLTAGE: 20 V MAX
 - WITHSTANDING VOLTAGE: 100V AC R.M.S.
 - CONTACT RESISTANCE: 40mΩ MAX.
 - INSULATION RESISTANCE: 100MΩ MIN.
 - ENVIRONMENTAL
 - TEMPERATURE RANGE -25°C ~ +85°C



UNLESS OTHERWISE SPECIFIED, TOLERANCE ON DECIMAL: ±0.3

DWN	LILY	DATE	2022.01.14	3RD ANGLE PROJECTION	NAME	USB 3.1 C TYPE R/A SMT PCB LAYOUT B款
CHKD	ANDY	DATE	2022.01.14		CAT. NO.	JCU-JDR-USCF025-S008
APVD	JON	DATE	2022.01.14	UNIT: mm	DWN.NO.	KQ-JDR-USCF025-S008
JKCR Electronics Co., Ltd.						001

* RoHS COMPLIANT *



RECOMMEND P.C.B LAYOUT (COMPONENT SIDE)

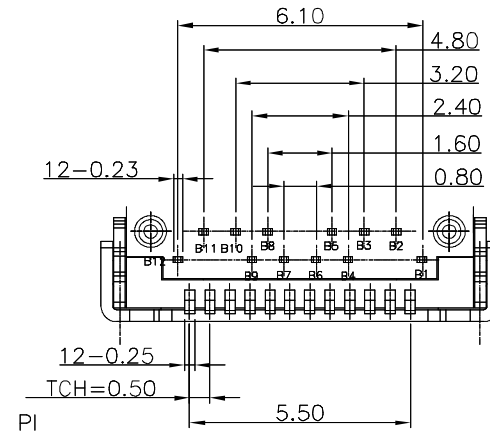
TOLERANCE FOR PCB LAYOUT IS ± 0.05

KEEP OUT AREA

UNLESS OTHERWISE SPECIFIED, TOLERANCE ON DECIMAL: ± 0.3

* REVISIONS

LTR	DESCRIPTION	DATE	REVISED	APPROVED



Detail A

A1	GND	B12	GND
A2	SSTXP1	B11	SSRXP1
A3	SSTXN1	B10	SSRXN1
A4	VBUS	B9	VBUS
A5	CC1	B8	SBU2
A6	DP1	B7	DN2
A7	DN1	B6	DP2
A8	SBU1	B5	CC2
A9	VBUS	B4	VBUS
A10	SSRXN2	B3	SSTXN2
A11	SSRXP2	B2	SSTXP2
A12	GND	B1	GND
PIN	SIGNAL NAME	PIN	SIGNAL NAME

DWN	LILY	DATE	2022.01.14	3RD ANGLE PROJECTION	NAME	USB 3.1 C TYPE R/A SMT PCB LAYOUT B款
CHKD	ANDY	DATE	2022.01.14		CAT. NO.	JCU-JDR-USCF025-S008
APVD	JON	DATE	2022.01.14	UNIT: mm	DWN.NO.	KQ-JDR-USCF025-S008
JKCR Electronics Co., Ltd.						001