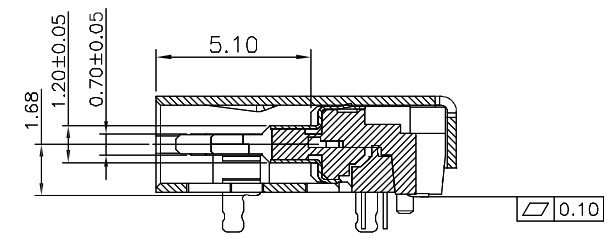
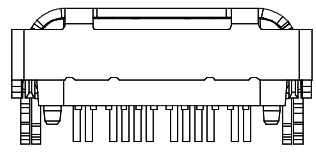
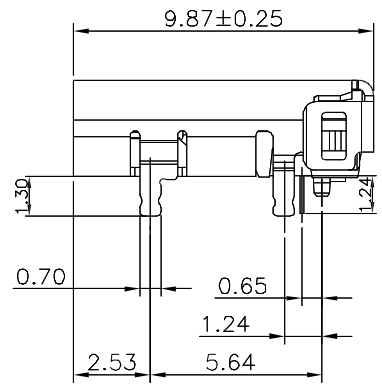
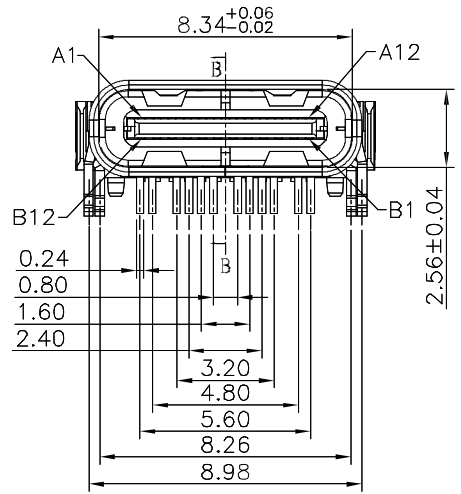
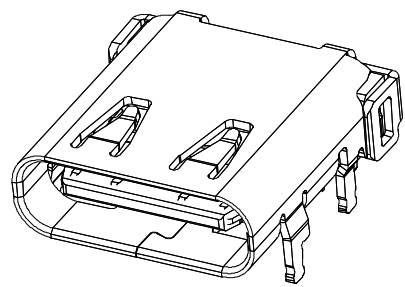
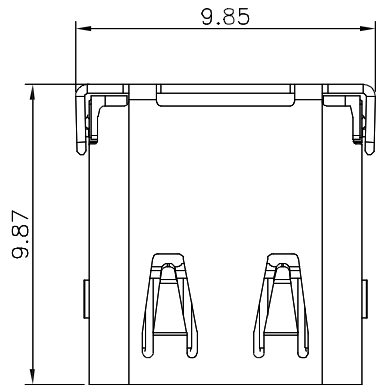
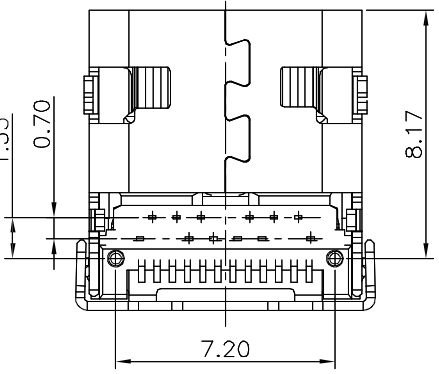


\* RoHS COMPLIANT \*

* REVISIONS				
LTR	DESCRIPTION	DATE	REVISED	APPROVED



SECTION B-B  
SCALE 1:1



NOTE:

- MATERIAL SPECIFICATION:
  - HOUSING: HIGH TEMPERATURE RESISTANT PLASTIC, UL94 V-0.
  - CONTACTS: COPPER ALLOY
  - MID PLATE: STAINLESS STEEL
  - FRONT SHELL: STAINLESS STEEL
  - EMI PLATE: STAINLESS STEEL
- PLATING SPECIFICATION:
  - CONTACTS:
    - Ni 50u" MIN. UNDER PLATED OVER ALL.
    - Au PLATED ON THE FUNCTIONAL AREA OF CONTACT. (GOLD PLATING THICKNESS FOLLOW THE P/N)
    - PLATING SPECIFICATIONS OF THE SOLDER AREA FOLLOW THE P/N
  - FRONT SHELL:
    - PLATING SPECIFICATIONS FOLLOW THE P/N
  - MID PLATE & EMI PLATE:
    - CLEAR ONLY
- MECHANICAL PERFORMANCE,
  - INSERTION FORCE: 0.5~2.0kgf.
  - REMOVAL FORCE: 0.8kgf~2.0kgf.
  - DURABILITY: 10000 CYCLES.
- ELECTRICAL PERFORMANCE,
  - CURRENT RATING: 5.0A  
VOLTAGE RATING: 5.0V
  - LLCR:
    - VBUS & GND PINS AND OTHER PINS: 40mΩ/PIN MAX.
    - SHIELD: 50mΩ/MAX.
    - LLCR MAX. CHANGE OF ALL PINS: 10mΩ.
  - INSULATION RESISTANCE: 100MΩ MIN
  - DIELECTRIC WITHSTAND VOLTAGE, AC 100V FOR 1 MINUTE.
- ENVIRONMENTAL PERFORMANCE:
  - OPERATING TEMPERATURE: -25°C~+85°C.
- IR REFLOW:
  - THE PEAK TEMPERATURE ON THE BOARD SHALL BE MAINTAINED FOR 10 SECONDS AT 260°C.

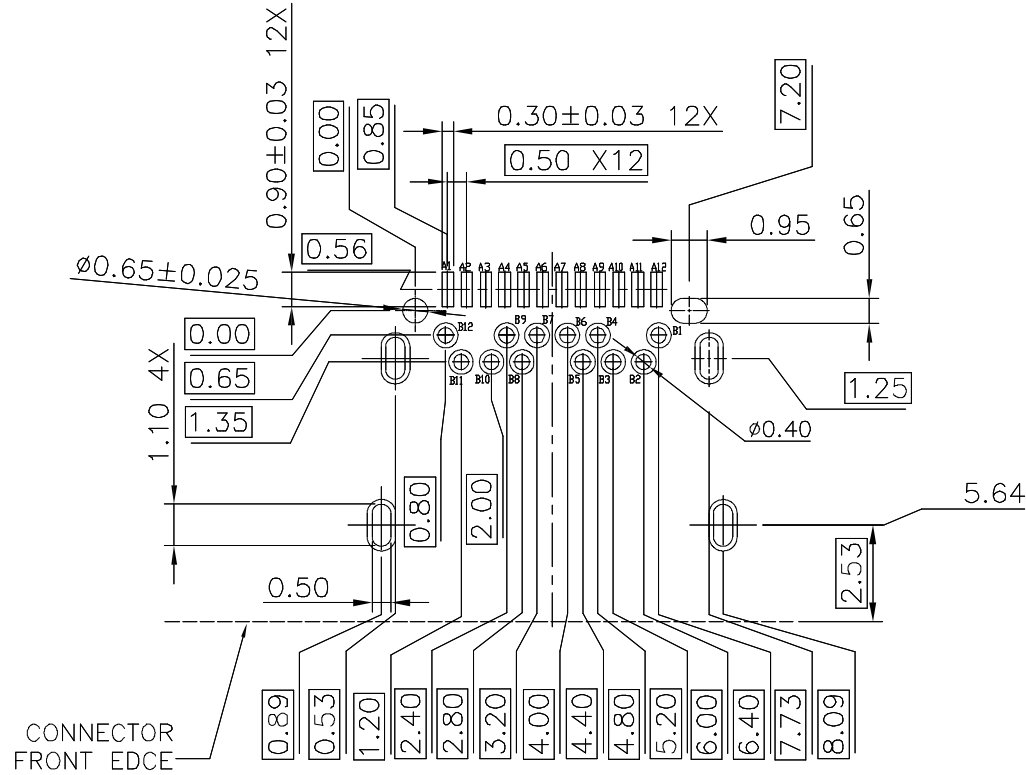
UNLESS OTHERWISE SPECIFIED, TOLERANCE ON DECIMAL: ±0.3

DWN	LILY	DATE	2023.02.24	3RD ANGLE PROJECTION	NAME	USB C TYPE 24PIN DIP+SMT
CHKD	ANDY	DATE	2023.02.24		CAT. NO.	JCU-JDR-USCF006-S008
APVD	JON	DATE	2023.02.24	UNIT: mm	DWN.NO.	KQ-JDR-USCF006-S008
JKCR Electronics Co., Ltd.						001

\* RoHS COMPLIANT \*

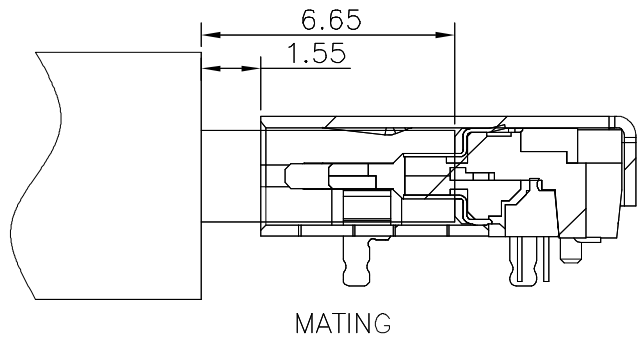
\* REVISIONS

LTR	DESCRIPTION	DATE	REVISED	APPROVED



RECOMMENDED P.C.B. LAYOUT (T=1.00mm)

TOLERANCE UNSPECIFIED ±0.05mm



MATING

USB TYPE-C PIN ASSIGNMENTS

PIN NUMBER	SIGNAL NAME	PIN NUMBER	SIGNAL NAME
A1	GND	B12	GND
A2	SSTXp1+	B11	SSRXp1+
A3	SSTXn1-	B10	SSRXn1-
A4	Vbus	B9	VBUS
A5	CC1	B8	SBU2
A6	Dp1	B7	Dn2
A7	Dn1	B6	Dp2
A8	SBU1	B5	CC2
A9	Vbus	B4	VBUS
A10	SSRXn2-	B3	SSTXn2-
A11	SSRXp2+	B2	SSTXp2+
A12	GND	B1	GND

DWN	LILY	DATE	2023.02.24	3RD ANGLE PROJECTION	NAME	USB C TYPE 24PIN DIP+SMT
CHKD	ANDY	DATE	2023.02.24		CAT. NO.	JCU-JDR-USCF006-S008
APVD	JON	DATE	2023.02.24	UNIT: mm	DWN.NO.	KQ-JDR-USCF006-S008
JKCR Electronics Co., Ltd.						001