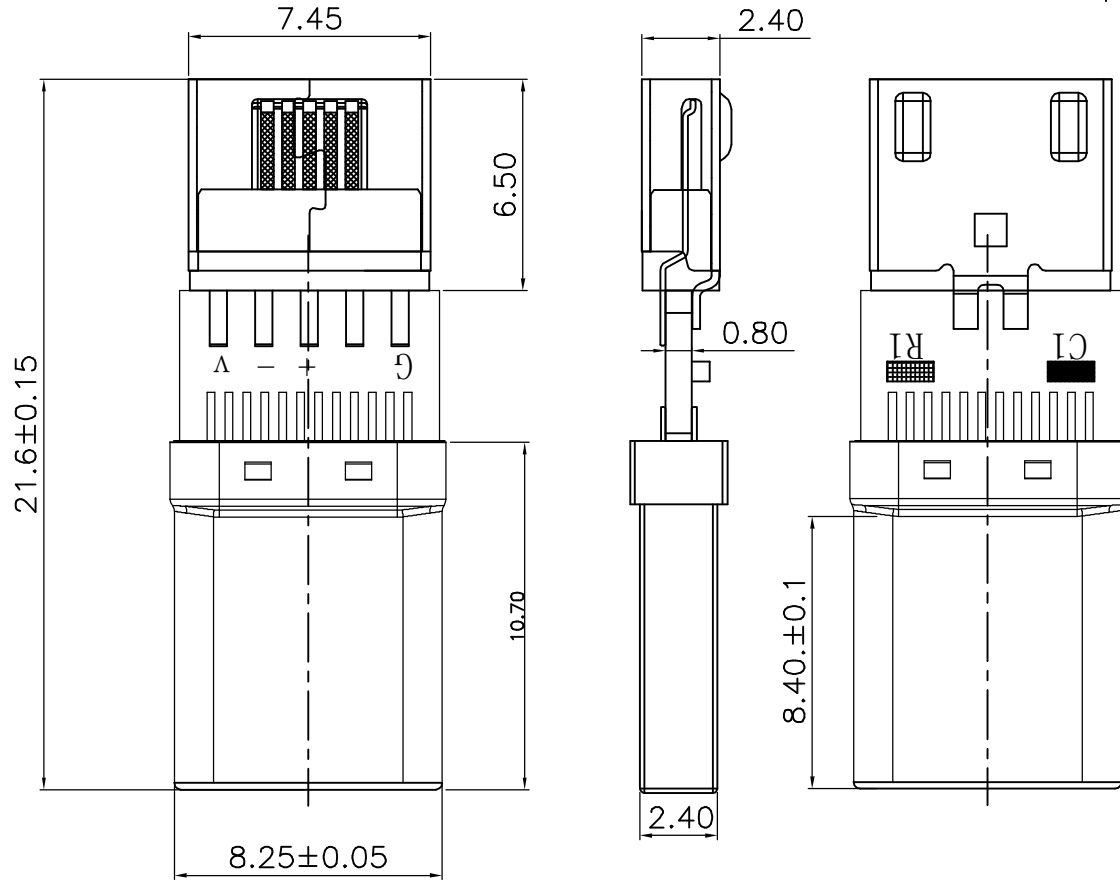


* RoHS COMPLIANT *



UNLESS OTHERWISE SPECIFIED, TOLERANCE ON DECIMAL: ±0.3

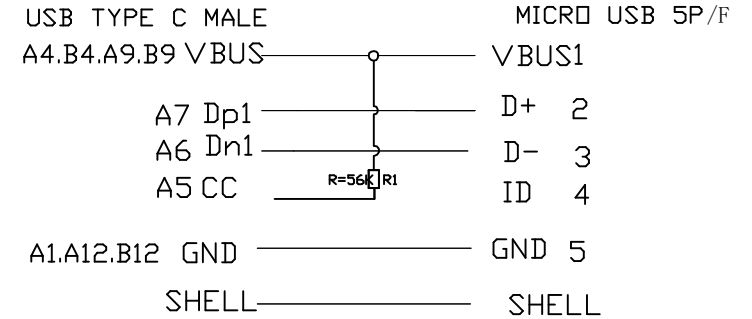
* REVISIONS

LTR	DESCRIPTION	DATE	REVISED	APPROVED

備註
 電器性能
 1.額定電壓：5V DC(RMS)
 2.額定電流：1-2A
 3.工作溫度：-25℃~+80℃

電器規格
 1.P.C.Board厚度：0.8±0.05mm
 2.TYPE-C公頭拉伸2.0對MICRO USB母轉接頭
 3.電阻：R1=56k(±5%) C1=空
 鹽霧測試：5%的鹽水，35℃，24H表面無氧化

PIN ASSIGNMENT:



④	GND LATCH	1	SUS 201	NICKEL PLATED OVERALL,TAB WITH LEAD FREE TIN ALLOY.
③	CONTACT	24	C5191	NICKEL UNDERPLATING OVER ALL,GOLD PLATING AT - CONTACT AREA,LEAD FREE TIN ALLOY AT TERMINATION.
②	SHELL	1	SUS 201	NICKEL PLATING
①	HOUSING	2	LCP	MOLED COLOR: BLACK
NO.	DESCRIPTION	QTY.	MATERIAL	TREATMENT
DWN	LILY	DATE	2022.12.27	3RD ANGLE PROJECTION
CHKD	ANDY	DATE	2022.12.27	
APVD	JON	DATE	2022.12.27	
JKCR Electronics Co., Ltd.				NAME TYPE C公拉伸轉MICRO USB母座 L=21.6mm
				CAT. NO. JCU-JDR-USC012-S009
				DWN.NO. KQ-JDR-USC012-S009
				001