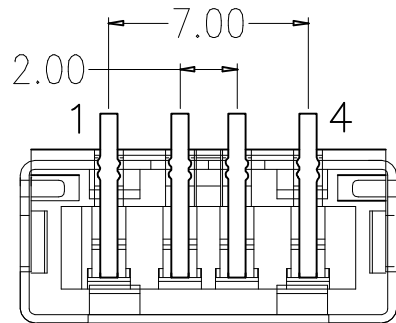
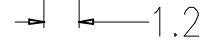
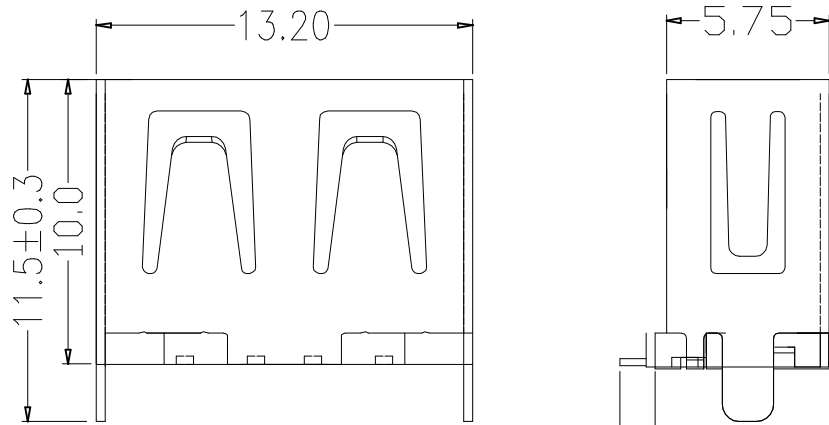
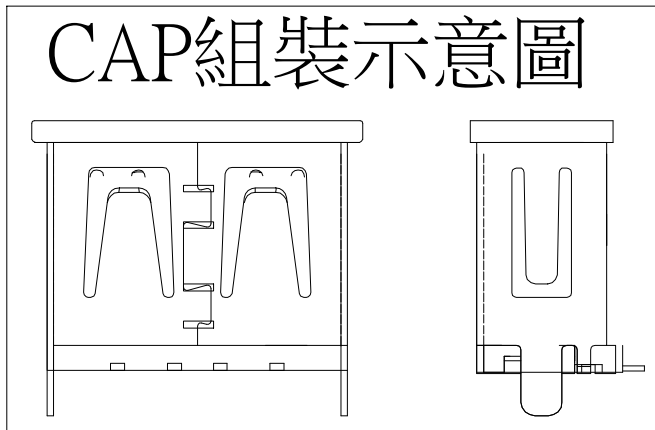


* RoHS COMPLIANT *



CAP組裝示意圖



UNLESS OTHERWISE SPECIFIED, TOLERANCE ON DECIMAL: ±0.3

* REVISIONS

LTR	DESCRIPTION	DATE	REVISED	APPROVED
-----	-------------	------	---------	----------

注:

1.機械性能:

插入力:35N Max.

拔出力:10N Min.

工作溫度:0°C~+50°C

儲存溫度: -20°C~60°C

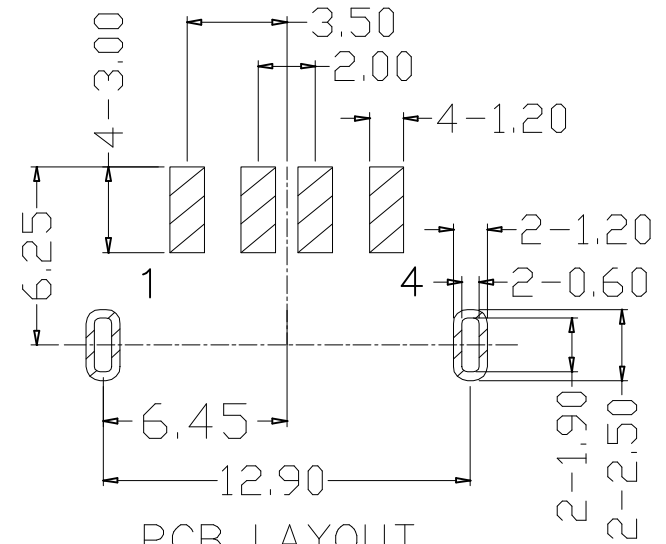
2.電性能:

額定電流:1.5A Max.

接觸阻抗:30 mΩ Max.

耐高壓:500V AC Min.

絕緣阻抗:1000 MΩ Min.



PCB LAYOUT
BOTTOM VIEW

3	SHELL	1	SPCC	Ni Plated
2	TERMINAL	4	C2680	半金錫
1	HOUSING	1	LCP	BLACK
LTR	PART NAME	QTY	MATERIAL	REMARK
DWN	LILY	DATE	2024.04.12	3RD ANGLE PROJECTION
CHKD	ANDY	DATE	2024.04.12	
APVD	JON	DATE	2024.04.12	UNIT: mm
JKCR Electronics Co., Ltd.				DWN.NO. ZM-24W15-02-04F-10
				001

NAME
USB A TYPE 180° L=10mm

CAT. NO.
JCU-24W15-02-04F-10