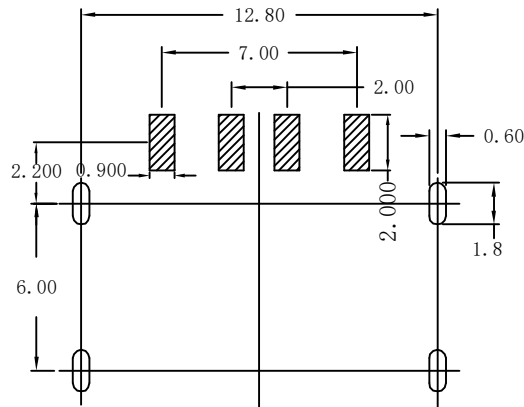
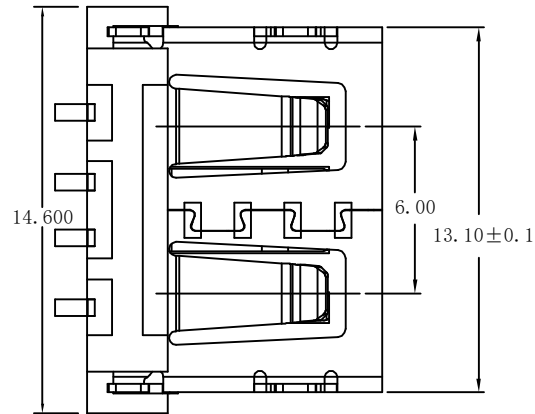
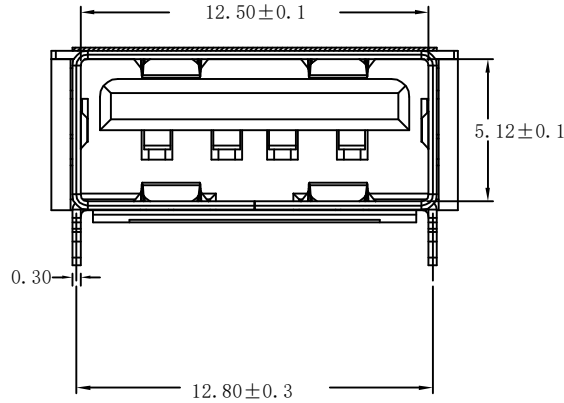
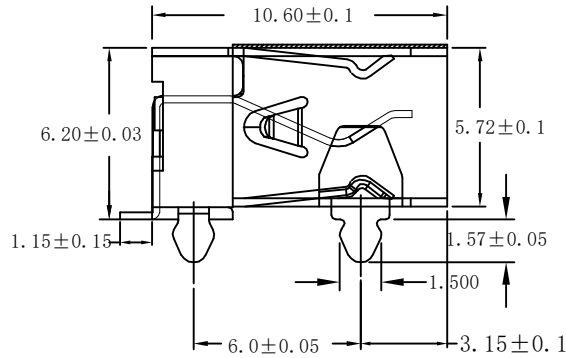


* RoHS COMPLIANT *

* REVISIONS

LTR	DESCRIPTION	DATE	REVISED	APPROVED



規格說明 (Specifications):

1.0 電氣特性 (Electrical):

1.1 額定電流 (Current Rating):

1.5A/Contact Terminal

1.2 額定電壓 (Voltage Rating):

30V DC

1.3 接觸阻抗 (Contact Resistance):

30 Milliohms Max

1.4 耐電壓 (Dielectric Withstanding Voltage):

500 V AC AT Sea Level

1.5 絕緣阻抗 (Insulation Resistance):

1000MEGA Ohms Min

2.0 物理性能 (Mechanical):

2.1 插拔力 (Connector Mate And Unmate Force):

Mating Force: 3.57kgf (Max)

Unmating Force: 1.02kgf (Min)

2.2 端子保持力 (Terminal Retention):

1.2kgf (Min)

3.0 原材料 (Material):

3.1 塑膠 (Housing):

Hing Temperature Thermoplastics

LCP Black

3.2 端子 (Contact):

Copper Alloy C2680 T=0.25MM

3.3 外殼 (Shell):

Copper/Ferro Alloy C2680 T=0.30MM

3.4 鍍拉

4.0 電鍍 (Finish):

4.1 端子 (Contact):

Peated Gold in Mating Area Sn

4.2 外殼 (Shell):

Nickel Plating

UNLESS OTHERWISE SPECIFIED, TOLERANCE ON DECIMAL: ±0.3

DWN	LILY	DATE	2024.03.26	3RD ANGLE PROJECTION	NAME	USB A/F SMT 四腳插板 無卷邊 (L=10.6 H=6.2)
CHKD	ANDY	DATE	2024.03.26		CAT. NO.	JCU-23W17-04F-01-R
APVD	JON	DATE	2024.03.26	UNIT: mm	DWN.NO.	TF-23W17-04F-01
JKCR Electronics Co., Ltd.						001