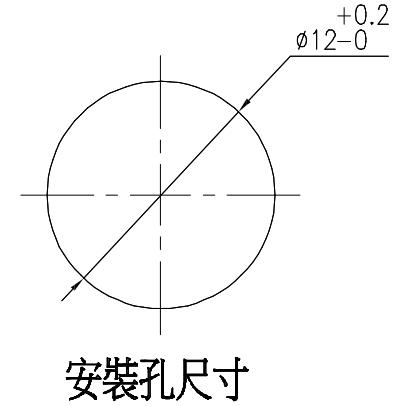
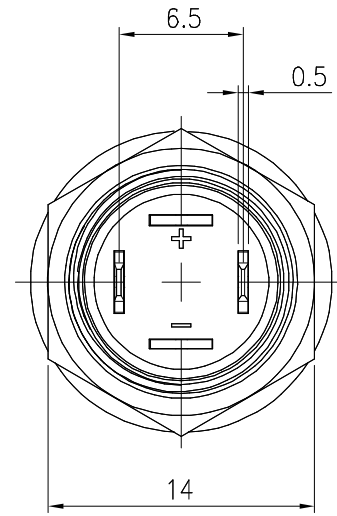
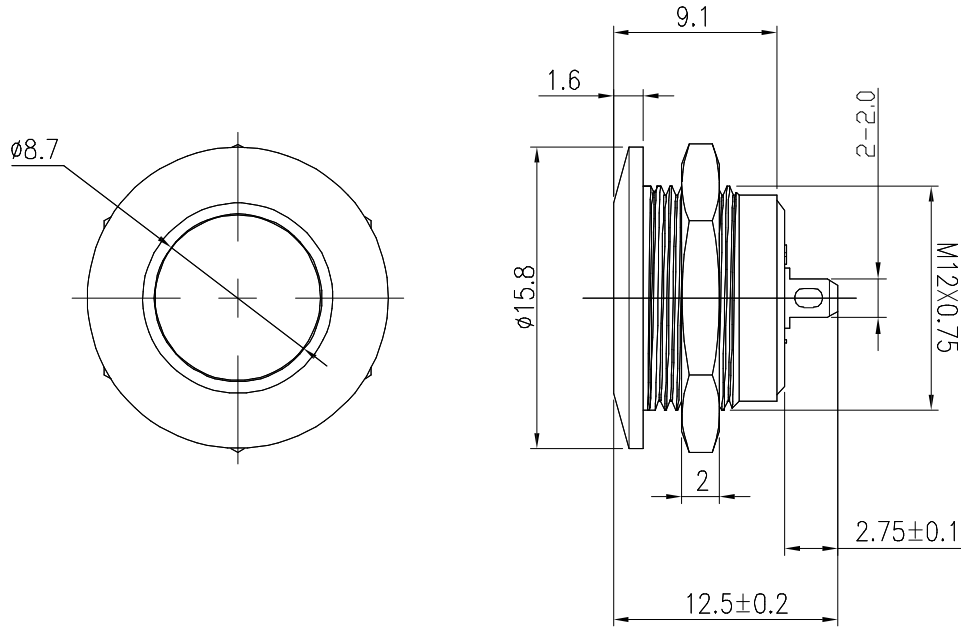


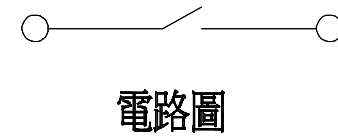
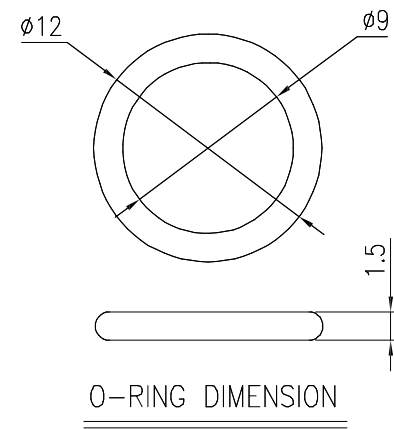
* RoHS COMPLIANT *

* REVISIONS				
LTR	DESCRIPTION	DATE	REVISED	APPROVED



SPECIFICATIONS:

RATING	DC30V 50mA
CONTACT RESISTANCE	DC3V ≤50mΩ
INSULATION RESISTANCE	DC500V-1 MINUTE
WITHSTAND VOLTAGE	AC1000V-1 MINUTE
OPERATING FORCE	3~5N
STROKE (ANGLE)	0.4±0.1mm
LIFE CYCLES	10,000 CYCLES



CAT NO.	規格
JCSW-24W20-02-PBQN12-3	無O-RING
JCSW-24W20-02-PBQN12-3A	附O-RING
JCSW-24W20-02-PBQN12-3B	裝O-RING

UNLESS OTHERWISE SPECIFIED, TOLERANCE ON DECIMAL: ±0.3

DWN	LILY	DATE	2024.05.22	3RD ANGLE PROJECTION	NAME	PUSH SWITCH	
CHKD	ANDY	DATE	2024.05.22		CAT. NO.	JCSW-24W20-02-PBQN12-3	
APVD	JON	DATE	2024.05.22	UNIT: mm	DWN.NO.	CN-24W20-02-PBQN12-3	001
JKCR Electronics Co., Ltd.							