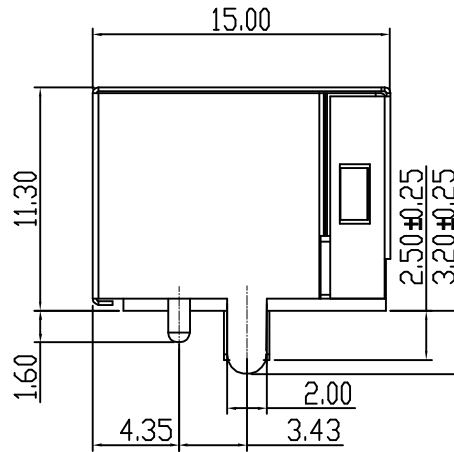
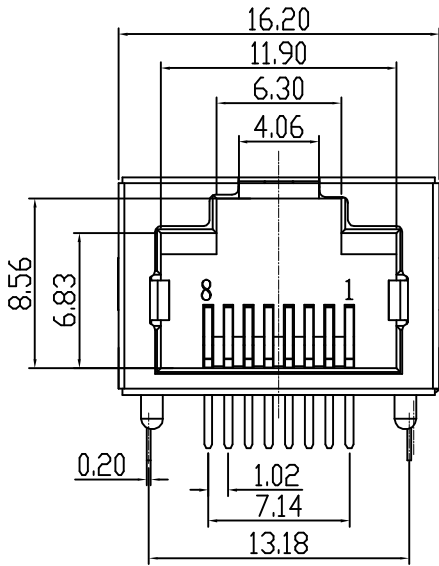


* RoHS COMPLIANT *

* REVISIONS

LTR	DESCRIPTION	DATE	REVISED	APPROVED



NOTES

MATERIAL

- 1.HOUSING MATERIAL : LCP UL94V-0.
- 2.CONTACT MATERIAL : PHOSPHOR BRONZE ϕ 0.46mm.
- 3.PLATING : GOLD Flash PLATING OVER NICKEL.
- 4.SHIELD : 0.20mm THICKNESS COPPER ALLOY WITH NICKEL PLATED.

ELECTRICAL

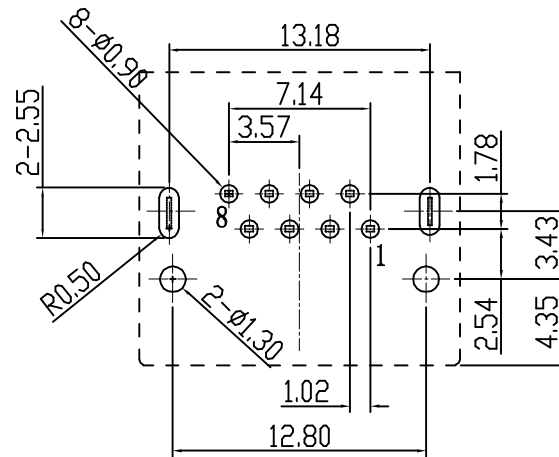
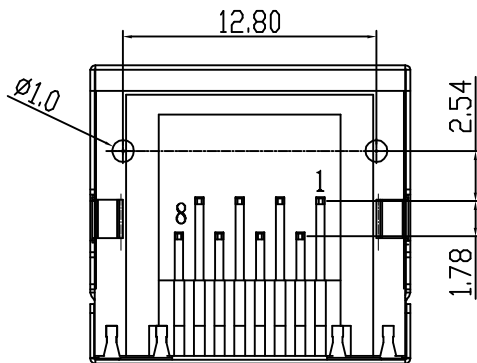
- 1.VOLTAGE RATING : 125 VAC RMS.
- 2.CURRENT RATING : 1.5 AMP.
- 3.CONTACT RESISTANCE : 30 MILLIOHMS MAX.
- 4.INSULATION RESISTANCE : 500 MEGOHMS MIN @ 500V DC .
- 5.DIELECTRIC RESISTANCE : 1000V AC RMS 50Hz. 1MIN.

MECHANICAL

- 1.DURRABILITY : 750 CYCLES MIN.
- 2.PCB RETENTIONPRE-SOLDER : 1 LB MIN.

ENVIRONMENTAL:

- 1.STORAGE : -40°C~+85°C.
- 2.OPERATION : -40°C~+85°C.



RECOMMENDED PCB LAYOUT
TOLERANCE:±0.05

UNLESS OTHERWISE SPECIFIED, TOLERANCE ON DECIMAL: ±0.3

DWN	LILY	DATE	2022.02.16	3RD ANGLE PROJECTION	NAME	RJ45 JACK H=11.3mm 超薄型彎腳無彈無燈type
CHKD	ANDY	DATE	2022.02.16		CAT. NO.	JCR-ELRJZ-111G300-000F
APVD	JON	DATE	2022.02.16	UNIT: mm	DWN.NO.	EX-ELRJZ-111G300-000F
JKCR Electronics Co., Ltd.					002	