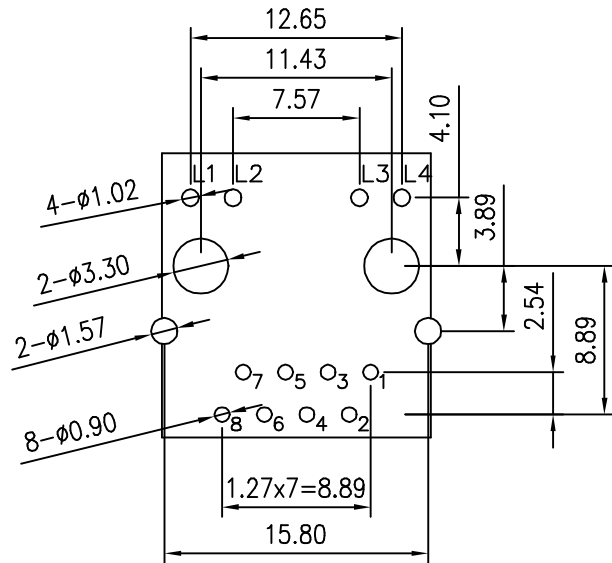
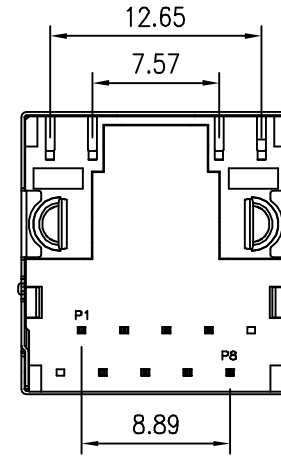
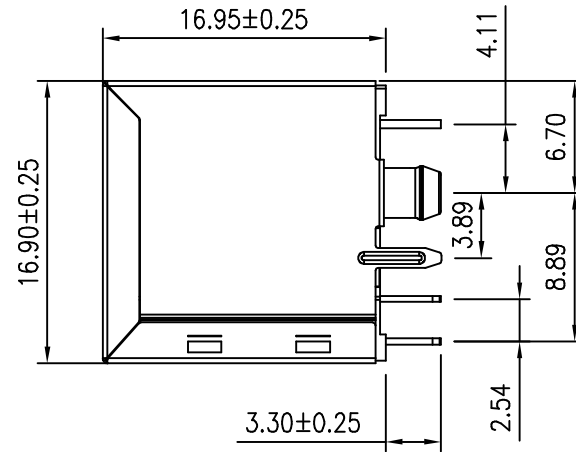
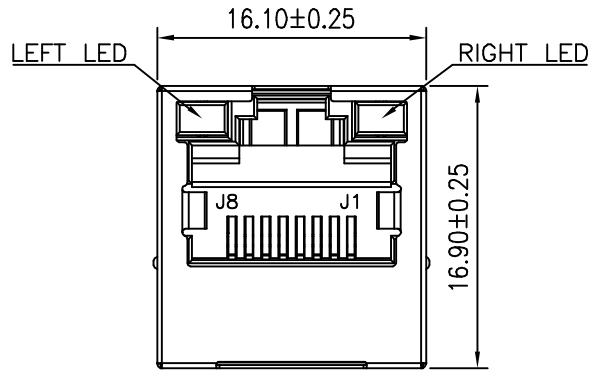


* RoHS COMPLIANT *

* REVISIONS

LTR	DESCRIPTION	DATE	REVISED	APPROVED



RECOMMENDED P.C.B LAYOUT(PCB THICKNESS: 1.6mm)
COMPONENT SIDE VIEW(TOLERANCE: ±0.05mm)

Connect Material:

Housing :Thermoplastic,PA46,UL 94V-0,Black

Insert:Thermoplastic,PA46,UL 94V-0,Black

Contact/Shield:Copper alloy

Shield Plating:Nickel

Contact Plating:Selective gold 6u" Min

UNLESS OTHERWISE SPECIFIED, TOLERANCE ON DECIMAL: ±0.3

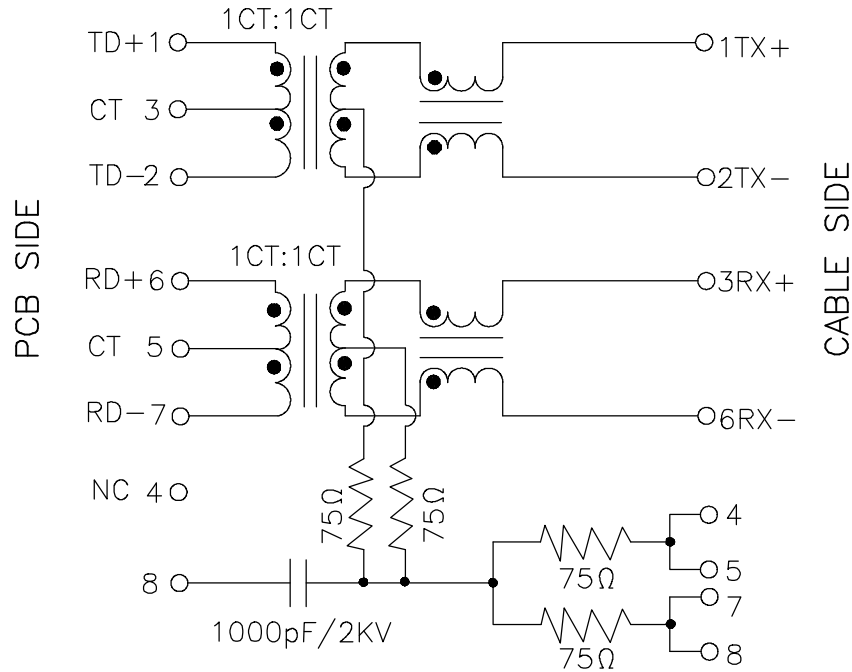
DWN	LILY	DATE	2022.09.19	3RD ANGLE PROJECTION	NAME	RJ45 180° 1x1 10/100
CHKD	ANDY	DATE	2022.09.19		CAT. NO.	JCR-681A1015RB1-ZD
APVD	JON	DATE	2022.09.19	UNIT: mm		
JKCR Electronics Co., Ltd.					DWN.NO.	EX-681A1015RB1-ZD
						001

* RoHS COMPLIANT *

* REVISIONS				
LTR	DESCRIPTION	DATE	REVISED	APPROVED

Schematic:

Type A10



Electrical Specifications @25°C								
Turns Ratio (±2%)		OCL (uH Min.) ●100 KHz/0.1V with 8mA DC Bias	Cross talk (dB Min.)				HI-POT 1.0 mA (V)	
TX	RX		0.5-10 MHz	30 MHz	50 MHz	100 MHz	WITHOUT Resistor	WITH Resistor
1CT:1CT	1CT:1CT	350	-50	-40	-35	-30	1500 AC	2250 DC

Continue							
Insertion Loss (dB Max.)		Return Loss (dB Min.) ● Load 100 OHM					CMR (dB Min.)
1-100 MHz	100-125 MHz (10/100/1000)	1-30 MHz	30-50 MHz	60 MHz	60-80 MHz	80-100 MHz (10/100/1000)	1-100 MHz
-1.0	-1.2	-18	-16	-14	-12	-10	-30

DWN	LILY	DATE	2022.09.19	3RD ANGLE PROJECTION	NAME	RJ45 180° 1x1 10/100
CHKD	ANDY	DATE	2022.09.19		CAT. NO.	JCR-681A1015RB1-ZD
APVD	JON	DATE	2022.09.19	UNIT: mm	DWN.NO. EX-681A1015RB1-ZD	
JKCR Electronics Co., Ltd.					001	