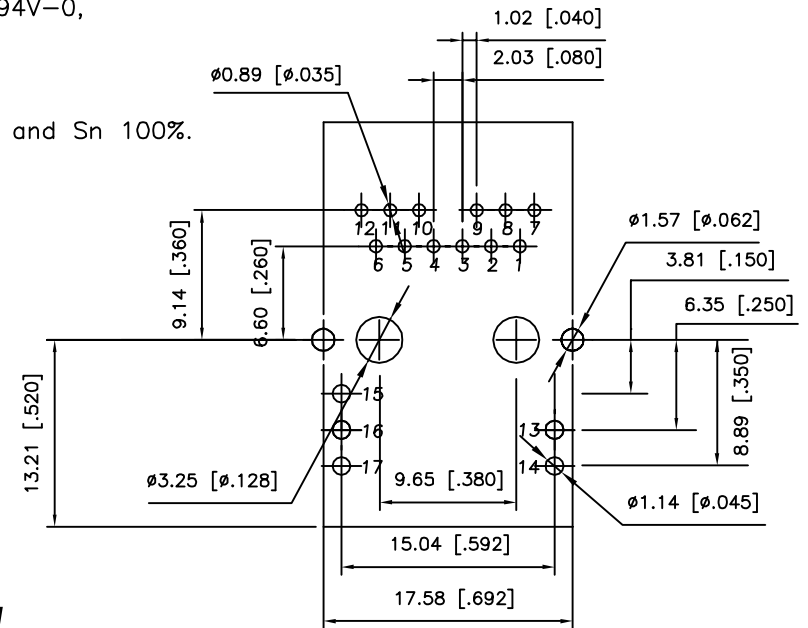
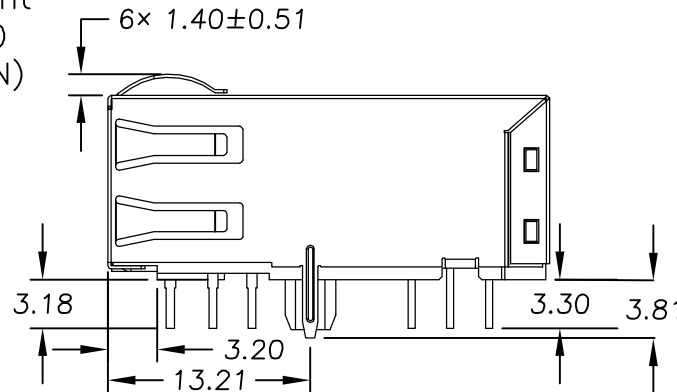
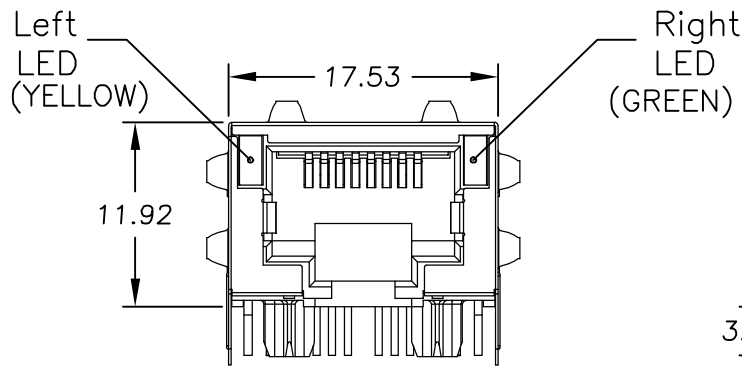
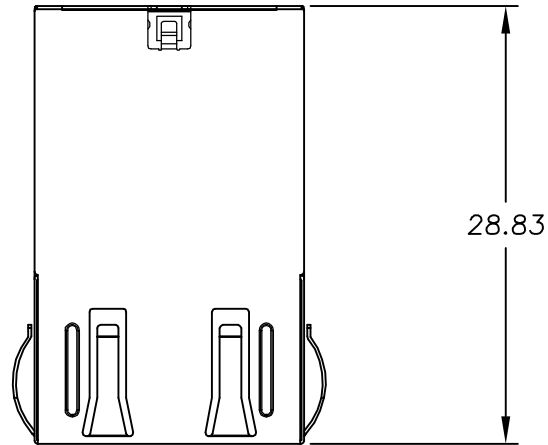


* RoHS COMPLIANT *

* REVISIONS				
LTR	DESCRIPTION	DATE	REVISED	APPROVED

NOTE:

1. Shielded – 0.20mm THICKNESS BRASS C2680 H. PLATING NICKEL 20u”Min.
2. Housing– Standard Material Nylon46, Glass Filled Polyester UL94V-0 Standed Color Black.
3. RJ Terminal– Plastic: Nylon46, UL94V-0, Standard Color Black. Pin: 0.35mm Thickness Phos–Bronze C5210 EH. Plating: Nickel 40u”~60u” for all and Sn 100% , and Gold Plating.
4. Input Terminal– Nylon46, Glass Filled, UL94V-0, Standard Color Black. Pin: 0.35mm SUS430. Plating: Nickel 40u”~60u” for all and Sn 100%.



RECOMMENDED P.C.B LAYOUT
TOP VIEW (COMPONENT SIDE)

UNLESS OTHERWISE SPECIFIED, TOLERANCE ON DECIMAL: ±0.3

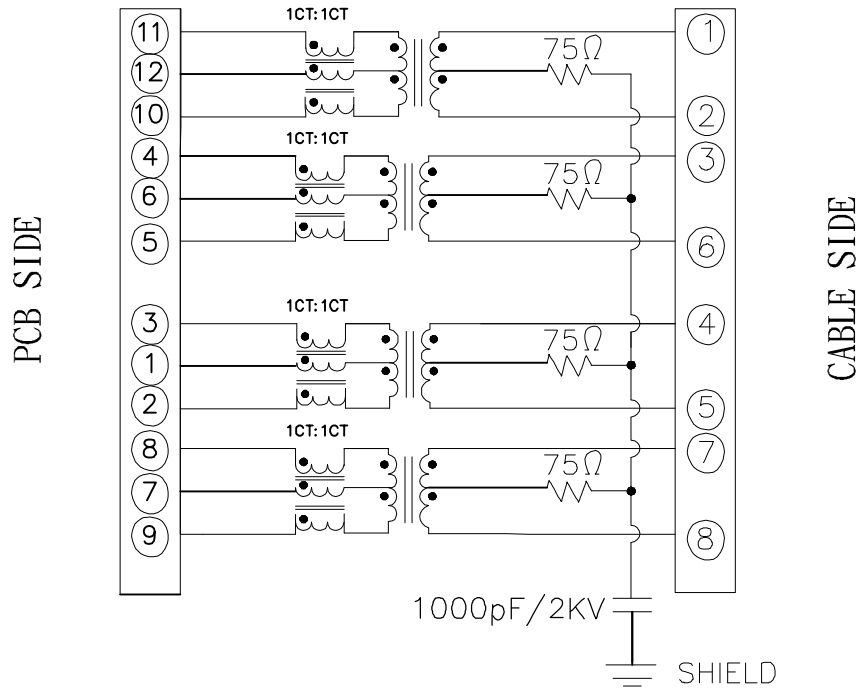
DWN	LILY	DATE	2020.03.24	3RD ANGLE PROJECTION	NAME	58F series 10G Tabdown
CHKD	ANDY	DATE	2020.03.24		CAT. NO.	JCR-581T08JPRZ4
APVD	JON	DATE	2020.03.24	UNIT: mm	DWN.NO.	EX-581T08JPRZ4 001
JKCR Electronics Co., Ltd.						

* RoHS COMPLIANT *

* REVISIONS

LTR	DESCRIPTION	DATE	REVISED	APPROVED

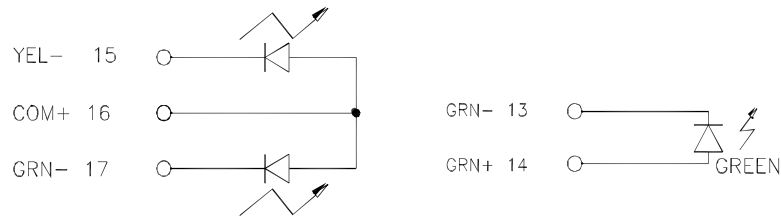
Type T08



ELECTRICAL CHARACTERISTICS AT +25°C UNLESS OTHER SPECIFIED
MEETS IEEE 802.3 SPECIFICATION

PARAMETER	SPECIFICATIONS			
OPERATING TEMPERATURE	0°C TO +70 °C			
URNS RATIO	1.00 ± 2%			
POLARITY	PER SCHEMATIC			
INSERTION LOSS (SDD21&SDD12)	1-65MHz	65-125MHz	125-400MHz	400-500MHz
	-0.8dB MAX	-1.0dB MAX	-2.5dB MAX	-3.5dB MAX
PHY-SIDE RETURN LOSS (SDD11-Zref=100 OHMS ± 1%) (SDD22-Zref=100 OHMS ± 1%)	1-40MHz	40-400MHz	300-500MHz	
	-18dB MIN	-18+10%LOG(f/40)dB MIN	-8+30%LOG(f/400)dB MIN	
INDUCTANCE (OCL)	120 nH MIN @ 100KHz, 100mV			
CROSSTALK, ADJACENT CHANNELS (SDD21-ADJ.)	1-100MHz		100-500MHz	
	-30dB MIN		-20dB MIN	
COMMON MODE REJECTION RATIO (SCC21)	1-100MHz	100-300MHz	300-500MHz	
	-30dB MIN	-22dB MIN	-17dB MIN	
COMM. TO DIFF REJECTION RATIO (SDC12)	1-100MHz	100-300MHz	300-500MHz	
	-32dB MIN	-27dB MIN	-22dB MIN	
PCB SIDE-CABLE SIDE ISOLATION	2250 VDC FOR 60 SECONDS			

NOTE: f IS FREQUENCY IN MHZ.



UNLESS OTHERWISE SPECIFIED, TOLERANCE ON DECIMAL: ±0.3

DWN	LILY	DATE	2020.03.24	3RD ANGLE PROJECTION	NAME	58F series 10G Tabdown
CHKD	ANDY	DATE	2020.03.24		CAT. NO.	JCR-581T08JPRZ4
APVD	JON	DATE	2020.03.24	UNIT: mm	DWN.NO.	EX-581T08JPRZ4 001
JKCR Electronics Co., Ltd.						