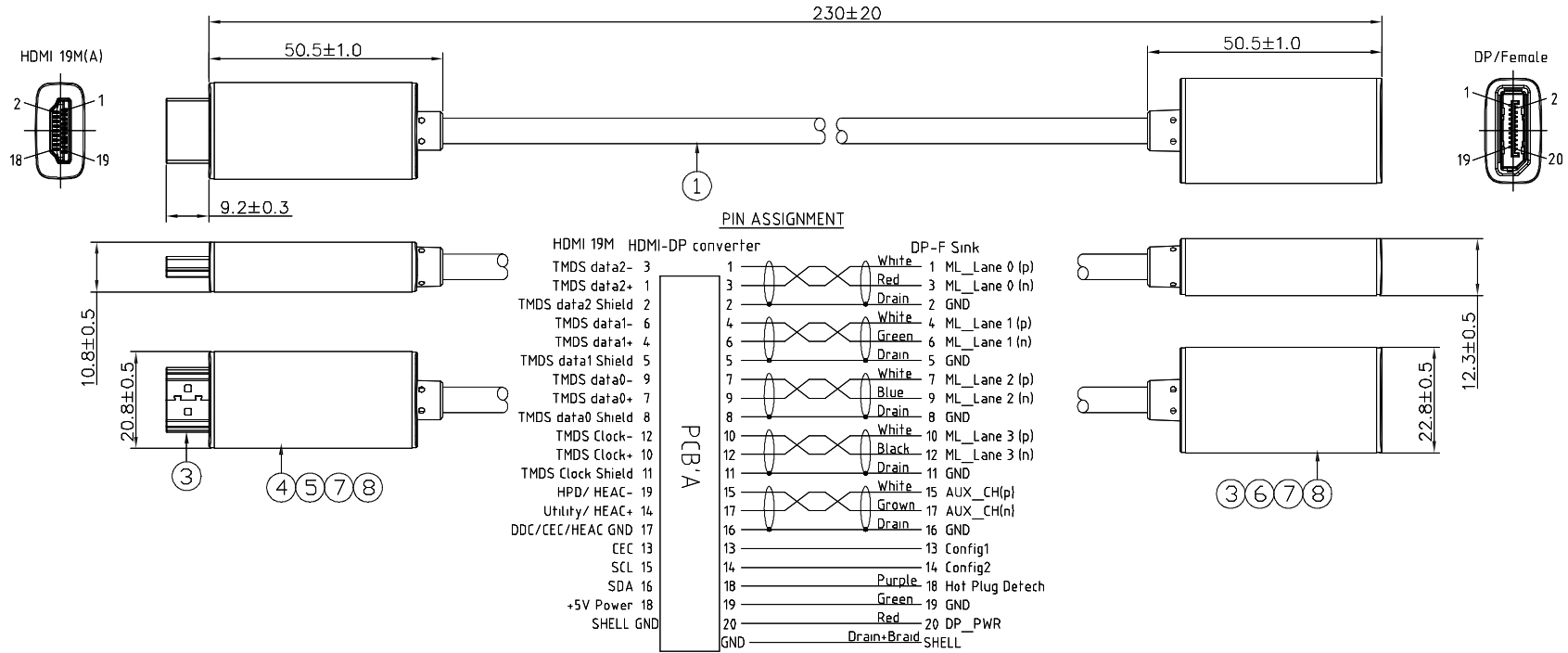


* RoHS COMPLIANT *

* REVISIONS

LTR	DESCRIPTION	DATE	REVISED	APPROVED



⑧	MOLDED 45P PVC BLACK,(RoHS).	A/R
⑦	MOLDED LD-PE,(RoHS).	A/R
⑥	Aluminium alloy L=41.1mm; positive pole-Space Grey; For DP-F End,(RoHS).	1PCS
⑤	Aluminium alloy L=42.6mm; positive pole-Space Grey; For HDMI End,(RoHS).	1PCS
④	PCB'A, MATERIAL: FR-4.(IC:LT6711),(RoHS)	1PCS
③	HDMI 19P A/M,TERMINAL:GOLD FLASH ,INSULATORBLACK, SHELL:GOLD FLASH,(RoHS)	1PCS
②	DisplayPort 20P/F,TERMINAL:GOLD FLASH ,INSULATORBLACK, SHELL:GOLD FLASH,(RoHS)	1PCS
①	DisplayPort WIRE UL20276 [(32AWG/1P+D+MY/AL)*5P+32AWG*4C+28AWG*1C] +AL+B(85%AL-Mg),BLACK JACKET PVC O.D: 55mm(E119932-Y),(RoHS).	A/R
ITEM	DESCRIPTION	Q'TY

NOTES:

- 1)100% Passed for Computer to 4K/60Hz DP Screen
- 2). THIS COMPONENT AND ITS HOMOGENEOUS SUBCOMPONENTS ARE ROHS COMPLIANT.

DWN	LILY	DATE	2024.08.19	3RD ANGLE PROJECTION	NAME	HDMI A/M TO DP/F CABLE
CHKD	ANDY	DATE	2024.08.19		CAT. NO.	JCL-KS-R061-RS
APVD	JON	DATE	2024.08.19	UNIT: mm	DWN.NO.	HY-KS-R061-RS
JKCR Electronics Co., Ltd.						001