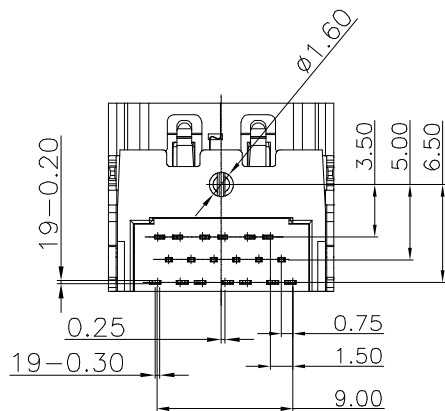
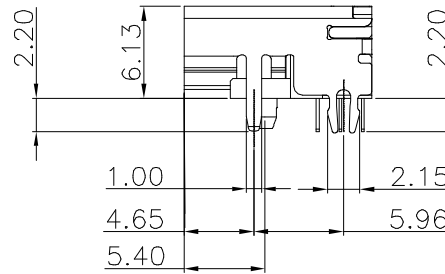
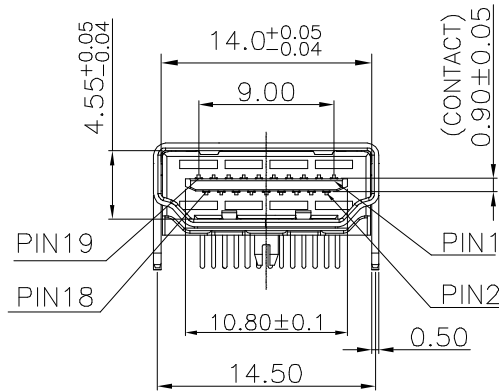
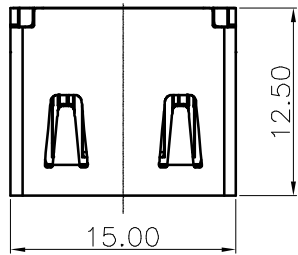


\* HALOGEN FREE \*

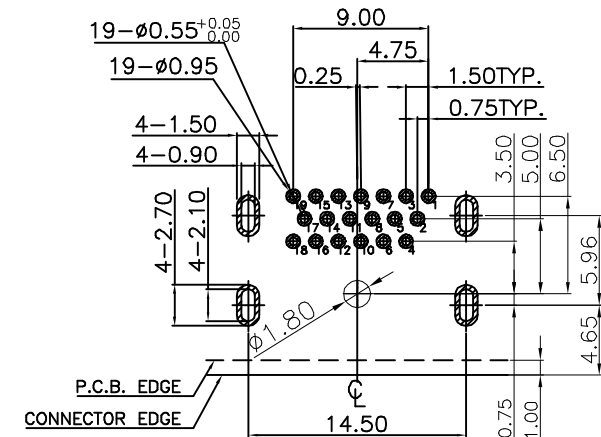
\* REVISIONS

LTR	DESCRIPTION	DATE	REVISED	APPROVED



SPECIFICATIONS:

- ELECTRICAL CHARACTERISTICS
  - CURRENT RATING: 0.5 AMP
  - VOLTAGE RATING: 40 V
  - CONTACT RESISTANCE: 30MILLIOHMS MAX
  - INSULATION RESISTANCE: 100M MIN.@500V DC
  - DIELECTRIC WITHSTANDING VOLTAGE: 500V AC FOR 1 MINUTE
- MECHANICAL CHARACTERISTICS:
  - INSERTION FORCE : 4.5KGF MAX.
  - WITHDRAWING FORCE : 1KGF ~ 4KGF.
- LIFE TEST: 10000 CYCLES
- OPERATING TEMPERATURE: -25°C TO +85°C



RECOMMENDED PCB LAYOUT (TOP VIEW)  
TOLERANCE: ±0.05mm

D	SHELL	1	C2680R-H,Ni 50u" T=0.5mm NI PLATING ALL OVER
C	TERMINAL	19	C2680R-H,T=0.2mm. 接觸端1u"金, 吃錫腳亮錫
B	COVER	1	LCP E130i UL94V-0 BLACK
A	HOUSING	1	LCP E130i UL94V-0 BLACK
NO	PART NAME	QTY	MATERIAL PLATING & COLOR

UNLESS OTHERWISE SPECIFIED, TOLERANCE ON DECIMAL: ±0.3

DWN	LILY	DATE	2023.05.12	3RD ANGLE PROJECTION	NAME	HDMI2.1版DIP
CHKD	ANDY	DATE	2023.05.12		CAT. NO.	JCH-KHD9922-111D20-01B0
APVD	JON	DATE	2023.05.12	UNIT: mm	DWN.NO.	QD-KHD9922-111D20-01B0
JKCR Electronics Co., Ltd.						001