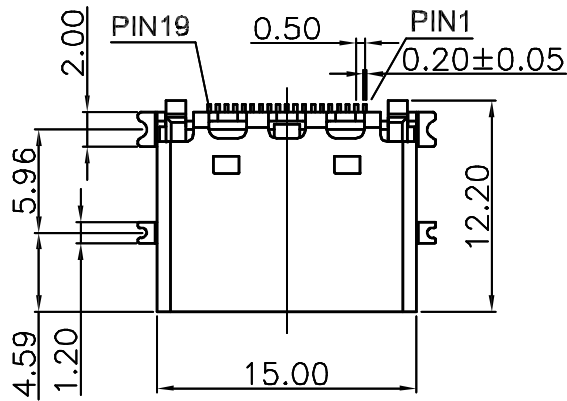


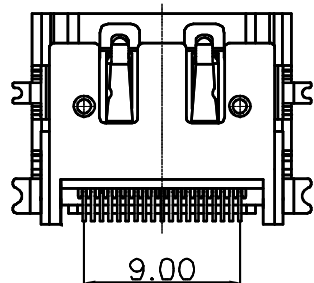
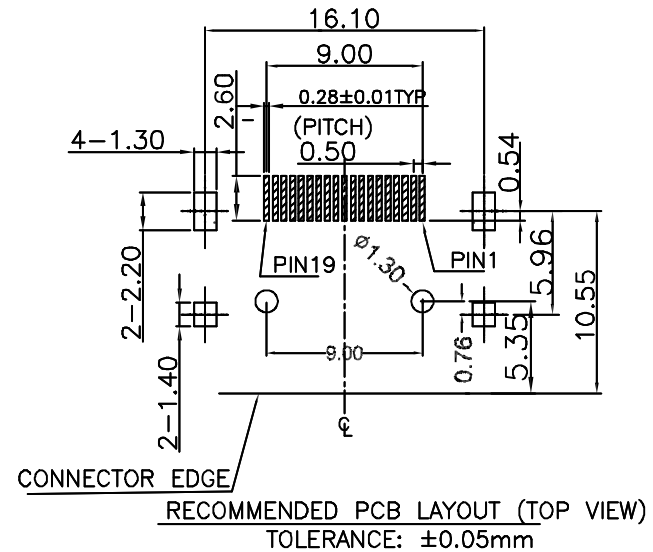
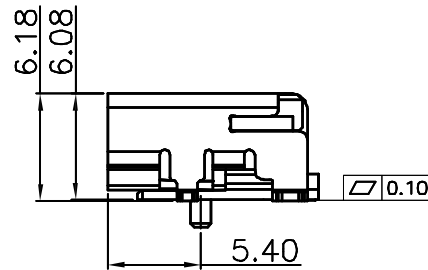
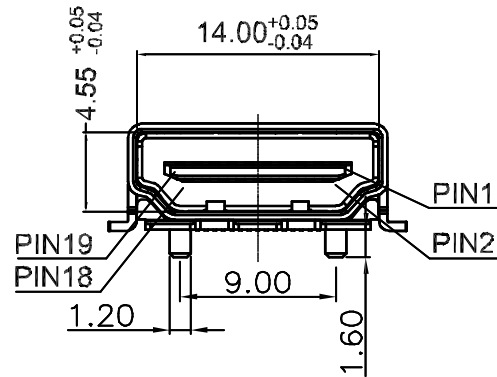
* RoHS COMPLIANT *

* REVISIONS				
LTR	DESCRIPTION	DATE	REVISED	APPROVED



SPECIFICATIONS:

1. ELECTRICAL CHARACTERISTICS
 - 1-1. CURRENT RATING: 0.5 AMP
 - 1-2. VOLTAGE RATING: 40 V
 - 1-3. CONTACT RESISTANCE: 30MILLIOHMS MAX
 - 1-4. INSULATION RESISTANCE: 100M MIN. @ 500V DC
 - 1-5. DIELECTRIC WITHSTANDING VOLTAGE: 500V AC FOR 1 MINUTE
2. MECHANICAL CHARACTERISTICS:
 - 2-1. INSERTION FORCE : 4.5KGF MAX.
 - 2-2. WITHDRAWING FORCE : 1KGF ~ 4KGF.
3. LIFE TEST: 10000 CYCLES
4. OPERATING TEMPERATURE: -25°C TO +85°C



UNLESS OTHERWISE SPECIFIED, TOLERANCE ON DECIMAL: ±0.3

C	SHELL	1	C2680R-H Ni 50u" T=0.5mm PLATING ALL OVER		
B	TERMINAL	19	Brass C2680-1/2H(HV120~140),T=0.2mm		
A	HOUSING	1	LCP E130i UL94V-0 BLACK		
NO	PART NAME	QTY	MATERIAL PLATING & COLOR		
DWN	LILY	DATE	2022.09.22	3RD ANGLE PROJECTION	
CHKD	ANDY	DATE	2022.09.22		
APVD	JON	DATE	2022.09.22	UNIT: mm	
JKCR Electronics Co., Ltd.				DWN.NO.	001
				QD-KHD19-111F10-011	

NAME
HDMI A TYPE 母座SMT
CAT. NO.
JCH-KHD19-111F10-011
DWN.NO.
QD-KHD19-111F10-011