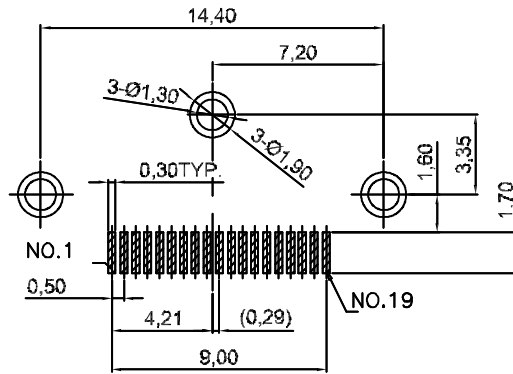
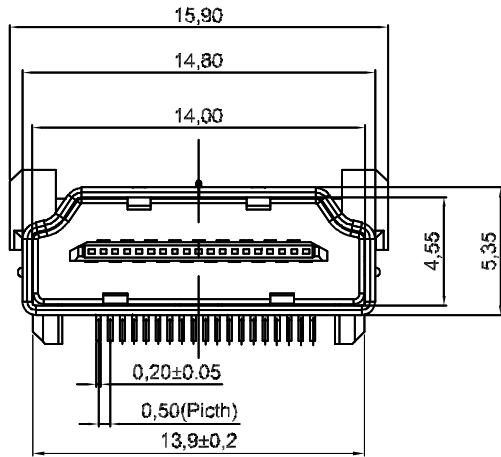


* RoHS COMPLIANT *

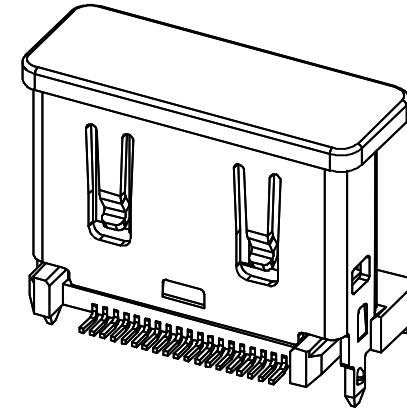
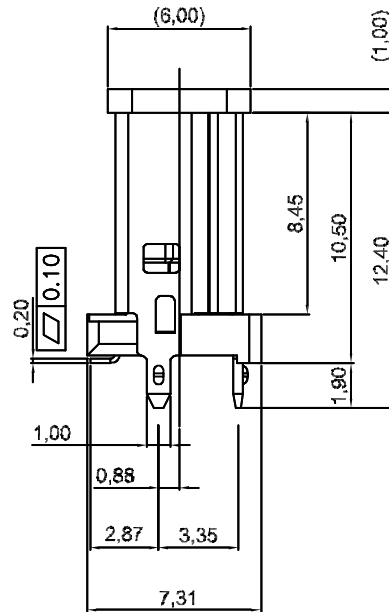
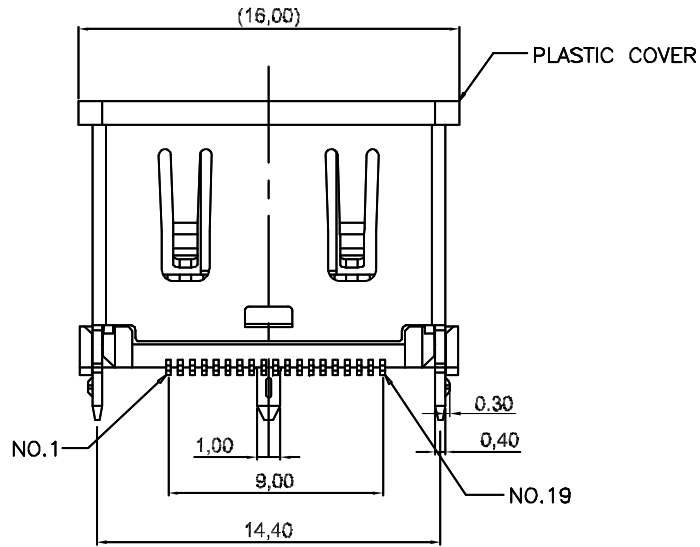
* REVISIONS				
LTR	DESCRIPTION	DATE	REVISED	APPROVED



RECOMMENDED PCB LAYOUT THICKNESS=1.6mm
TOLERANCE:±0.05

SPECIFICATIONS:

- ELECTRICAL CHARACTERISTICS
 - CURRENT RATING: 0.5 AMP
 - VOLTAGE RATING: 40 V
 - CONTACT RESISTANCE: 30MILLIOHMS MAX
 - INSULATION RESISTANCE:100M MIN.⑤500V DC
 - DIELECTRIC WITHSTANDING VOLTAGE: 500V AC FOR 1 MINUTE
- MECHANICAL CHARACTERISTICS:
 - INSERTION FORCE : 4.5KGF MAX.
 - WITHDRAWING FORCE : 1KGF ~ 4KGF.
- LIFE TEST: 10000 CYCLES
- OPERATING TEMPERATURE: -25°C TO +85°C



D	DUST COVER	1	LCP E130i UL94V-0 BLACK
C	SHELL	1	C2680R-H Ni 50u" T=0.4mm PLATING ALL OVER
B	TERMINAL	19	C2680R-H SEE PART NO.
A	HOUSING	1	LCP E130i UL94V-0 BLACK
NO	PART NAME	QTY	MATERIAL PLATING & COLOR

DWN	LILY	DATE	2022.09.14	3RD ANGLE PROJECTION	NAME	HDMI SMT 直立式
CHKD	ANDY	DATE	2022.09.14		CAT. NO.	JCH-KHD13-1021111
APVD	JON	DATE	2022.09.14	UNIT: mm	DWN.NO.	QD-KHD13-1021111
JKCR Electronics Co., Ltd.						001

UNLESS OTHERWISE SPECIFIED, TOLERANCE ON DECIMAL: ±0.3