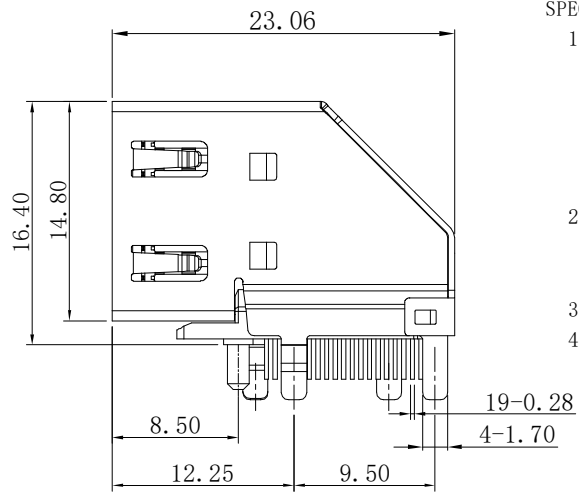
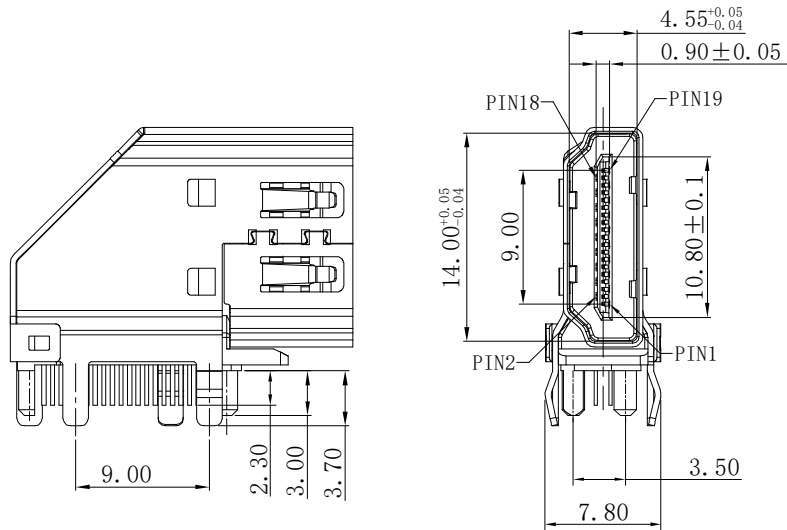


* RoHS COMPLIANT *

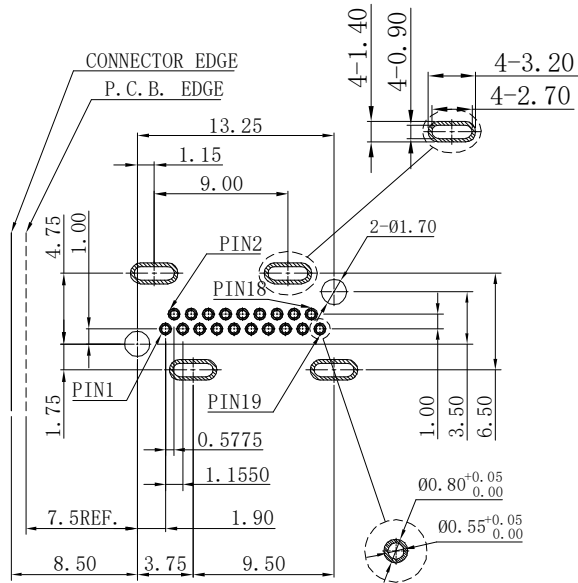
✱ REVISIONS

LTR	DESCRIPTION	DATE	REVISED	APPROVED

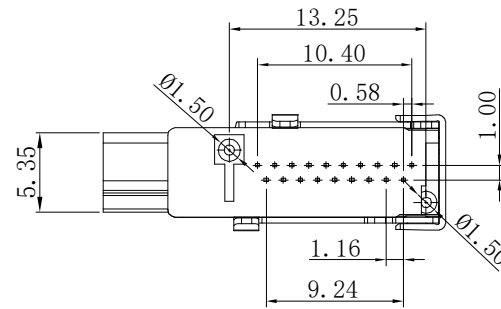


SPECIFICATIONS:

- ELECTRICAL CHARACTERISTICS
 - CURRENT RATING: 0.5 AMP
 - VOLTAGE RATING: 40 V
 - CONTACT RESISTANCE: 30MILLIOHMS MAX
 - INSULATION RESISTANCE: 100M MIN. @500V DC
 - DIELECTRIC WITHSTANDING VOLTAGE: 500V AC FOR 1 MINUTE
- MECHANICAL CHARACTERISTICS:
 - INSERTION FORCE : 4.5KGF MAX.
 - WITHDRAWING FORCE : 1KGF ~ 4KGF.
- LIFE TEST: 10000 CYCLES
- OPERATING TEMPERATURE: -25° C TO +85° C



RECOMMENDED PCB LAYOUT (TOP VIEW)
TOLERANCE: ±0.05mm



C	SHELL	1	C2680R-H, T=0.4mm PLATING ALL OVER Ni		
B	TERMINAL	19	C2680R-H, T=0.2mm		
A	HOUSING	1	LCP E130i UL94V-0 BLACK		
NO	PART NAME	QTY	MATERIAL PLATING & COLOR		
DWN	LILY	DATE	2022.03.22	3RD ANGLE PROJECTION	NAME
CHKD	ANDY	DATE	2022.03.22		CAT NO.
APVD	JON	DATE	2022.03.22		UNIT: mm
JKCR Electronics Co., Ltd.					DWN. NO.
					ZM-HDMF19-GD21
					001

UNLESS OTHERWISE SPECIFIED, TOLERANCE ON DECIMAL: ±0.3