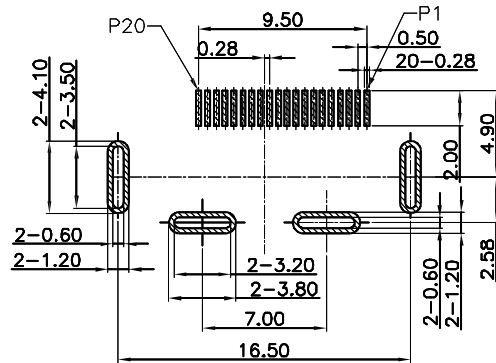
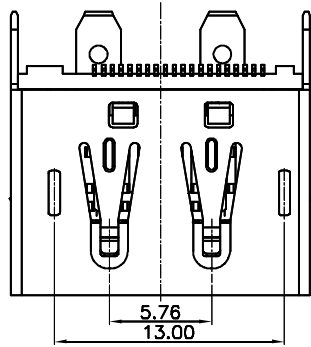


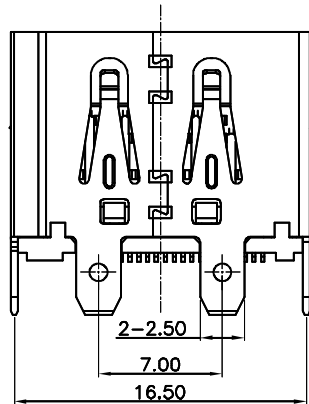
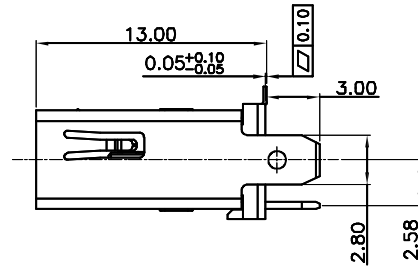
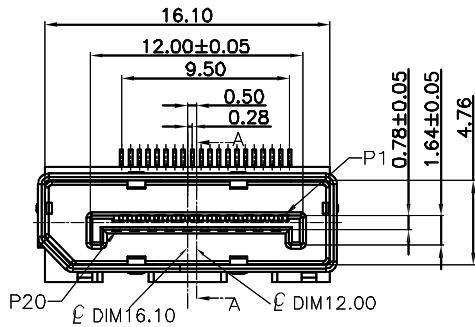
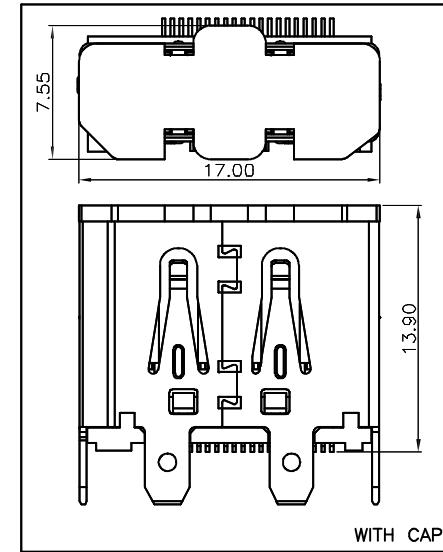
\* RoHS COMPLIANT \*

\* REVISIONS

LTR	DESCRIPTION	DATE	REVISED	APPROVED



RECOMMENDED P.C.B. LAYOUT (THICKNESS=1.60mm)  
TOLERANCE UNSPECIFIED ±0.05mm



SPECIFICATIONS:

1. MECHANICAL :
  - 1.1 INSERTION FORCE : 44.1 N MAX
  - 1.2 WITHDRAWAL FORCE : 9.8 N MIN.
  - AFTER 5,000 CYCLES MATING: 0.5kgf MIN.
2. ELECTRICAL :
  - 2.1 CONTACT CURRENT RATING: 0.5A MIN.
  - 2.2 VOLTAGE RATING : 40V AC (rms)
  - 2.3 WITHSTANDING VOLTAGE: 500 VAC FOR 1 MINUTE.
  - 2.4 INSULATION RESISTANCE: 100 MEGAOHMS MIN
  - 2.5 CONTACT RESISTANCE: 30 MILLIOHMS MAX.
3. ENVIRONMENTAL :
  - 3.1 OPERATING TEMPERATURE: -25°C TO +85°C

ITEM	QTY'S	PART	SPECIFICATION
4	1	CAP	LCP BLACK UL94V-0
3	20	CONTACT	COPPER ALLOY, G/F Au PLATED ON CONTACT AREA, Tin PLATING ON SOLDER AREA, NI PLATING UNDER OVER ALL
2	1	HOUSING	LCP BLACK UL94V-0
1	1	SHELL	S50C NICKEL PLATED

UNLESS OTHERWISE SPECIFIED, TOLERANCE ON DECIMAL: ±0.3

DWN	LILY	DATE	2024.04.12	3RD ANGLE PROJECTION	NAME	DP 直立式H:13mm
CHKD	ANDY	DATE	2024.04.12		CAT. NO.	JCDP-KDP20-SD-AA1AB-1
APVD	JON	DATE	2024.04.12	UNIT: mm	DWN.NO.	QD-KDP20-SD-AA1AB-1
JKCR Electronics Co., Ltd.						002