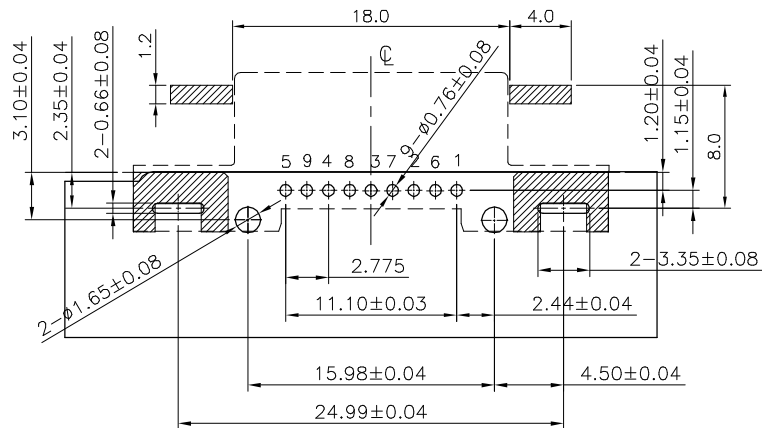
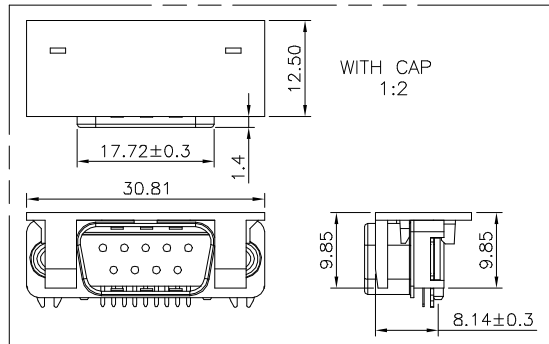
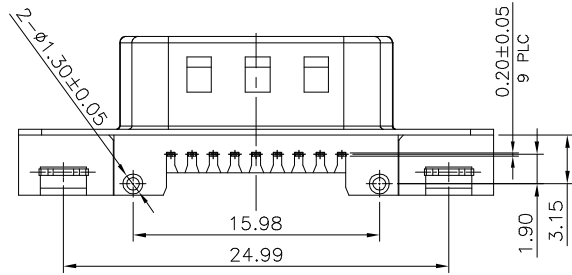
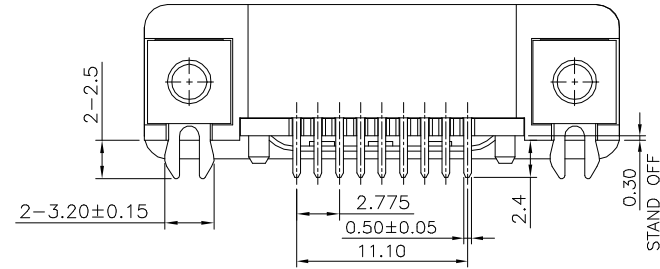
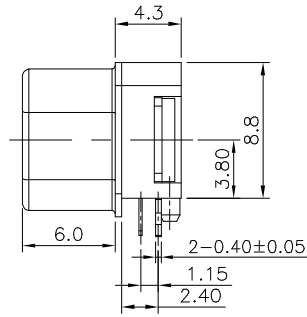
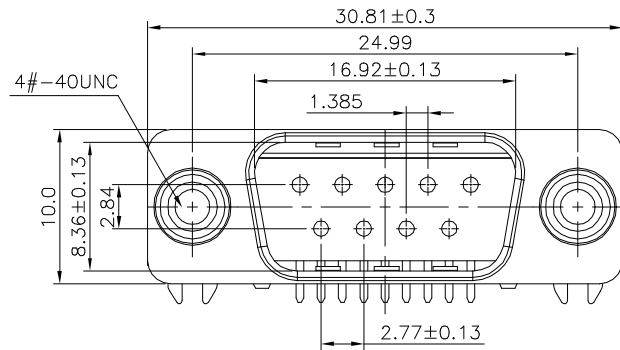


\* RoHS COMPLIANT \*

* REVISIONS				
LTR	DESCRIPTION	DATE	REVISED	APPROVED



STAND OFF AREA (PLASTIC)  
 RECOMMENDED P.C.B LAYOUT, T=1.60mm  
 P.C.B TOLERANCES ±0.08mm  
 (TOP VIEW)

UNLESS OTHERWISE SPECIFIED, TOLERANCE ON DECIMAL: ±0.3

NOTES

- MATERIAL:  
 HOUSING: PA9T, UL 94V-0, COLOR:BLACK  
 CAP: LCP, UL 94V-0, COLOR BLACK.  
 CONTACT: C2680.  
 SHELL: SPCC.  
 BOARDLOCK: BRASS.  
 RIVET: BRASS.
- FINISH:  
 CONTACT: GOLD FLASH PLATING ON THE CONTACT AREA,  
 100u"MIN MATTE-TIN PLATING ON SOLDER TAIL AREA,  
 50u"MIN. NICKEL UNDERPLATING OVERALL.  
 SHELL: 50u"MIN NICKEL PLATING  
 BOARDLOCK: 100u" MIN.MATTE-TIN PLATED OVER.  
 50u" MIN.NICKEL UNDERPLATED OVERALL.  
 RIVET: 50u"MIN NICKEL PLATING

DWN	LILY	DATE	2023.08.28	3RD ANGLE PROJECTION	NAME	SLIM-9公 CH3.8mm, DIP2.4mm
CHKD	ANDY	DATE	2023.08.28		CAT. NO.	JCD-SLM122-09M15BA-A0A10
APVD	JON	DATE	2023.08.28	UNIT: mm	DWN.NO.	YD-SLM122-09M15BA-A0A10
JKCR Electronics Co., Ltd.						001