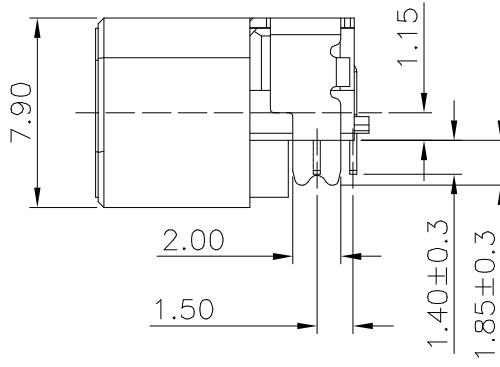
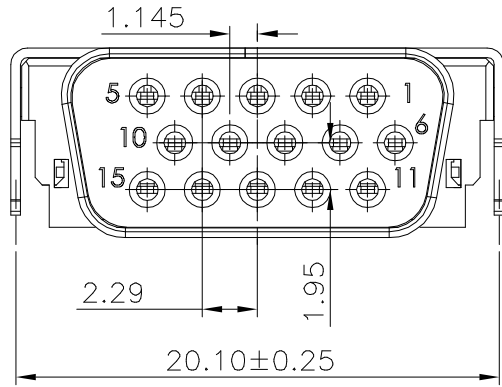


* RoHS COMPLIANT *

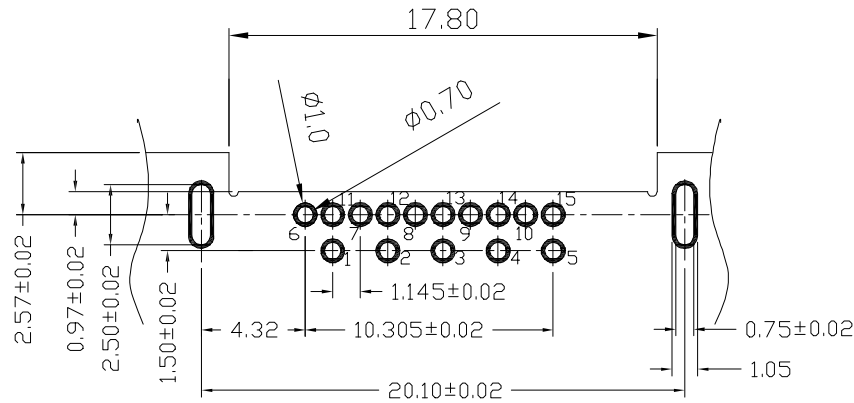
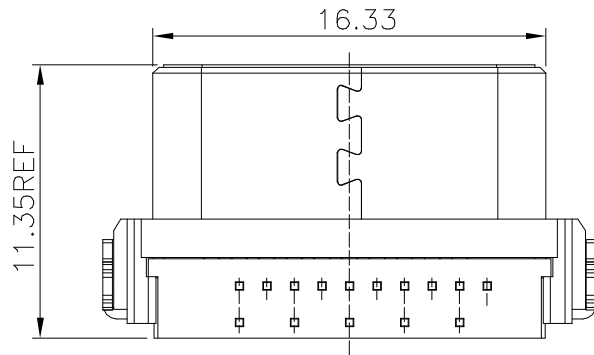
* REVISIONS

LTR	DESCRIPTION	DATE	REVISED	APPROVED

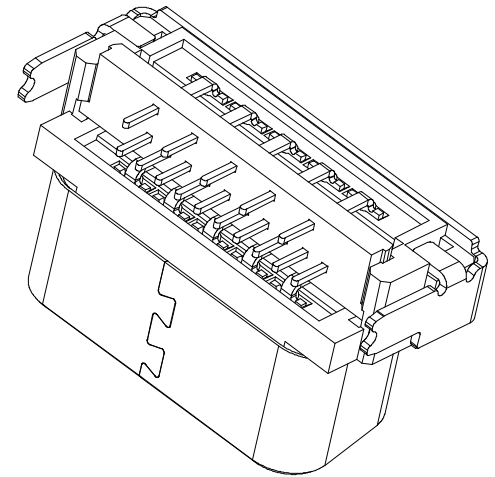


NOTES:

- MATERIAL
HOUSING: LCP, GLASS FIBER FILLED, UL94V-0, COLOR: BLACK
CAP: LCP, GLASS FIBER FILLED, UL 94V-0, COLOR: BLACK
TERMINAL: BRASS C2680 t:0.3mm
SHIELD: SPCC t:0.4mm
- PLATING:
TERMINAL :NICKEL UNDERPLATING OVER ALL, GOLD FLASH PLATED ON CONTACT AREA, TIN PLATED ON SOLDERING TAIL
SHIELD: NICKEL PLATED.
- LIFE TEST: 1500 CYCLES



RECOMMENDED P. C. B LAYOUT (COMPONENT SIDE)
P. C. B THICKNESS=1.2mm
WITHOUT LOCKING FUNCTION



UNLESS OTHERWISE SPECIFIED, TOLERANCE ON DECIMAL: ±0.3

DWN	LILY	DATE	2024.12.11	3RD ANGLE PROJECTION	NAME	MINI D-SUB 正向PO 1.15
CHKD	ANDY	DATE	2024.12.11		CAT. NO.	JCD-24W50-01-15F
APVD	JON	DATE	2024.12.11	UNIT: mm	DWN.NO.	ZM-24W50-01-15F
JKCR Electronics Co., Ltd.						001