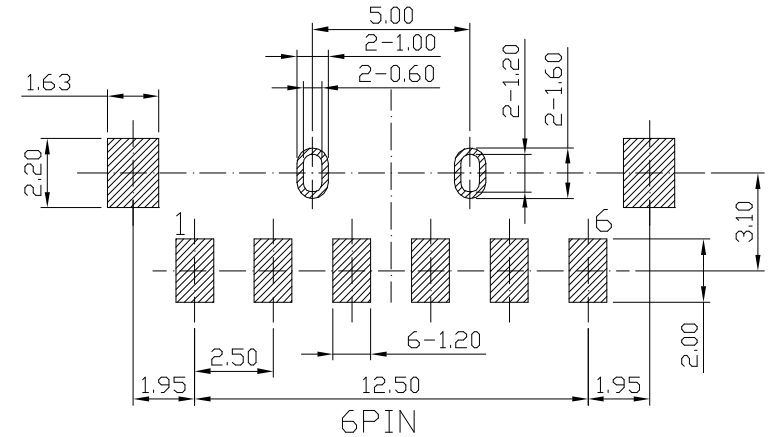
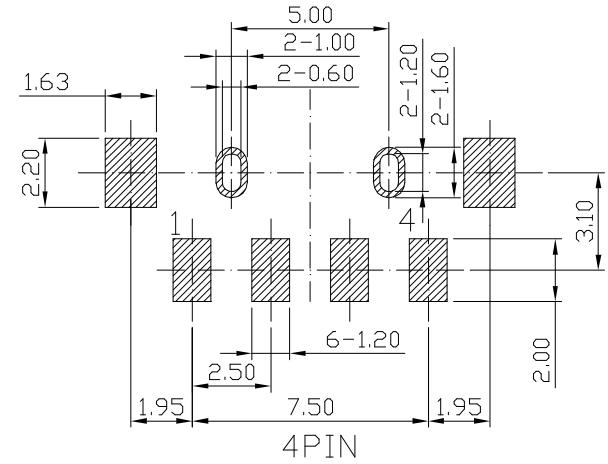
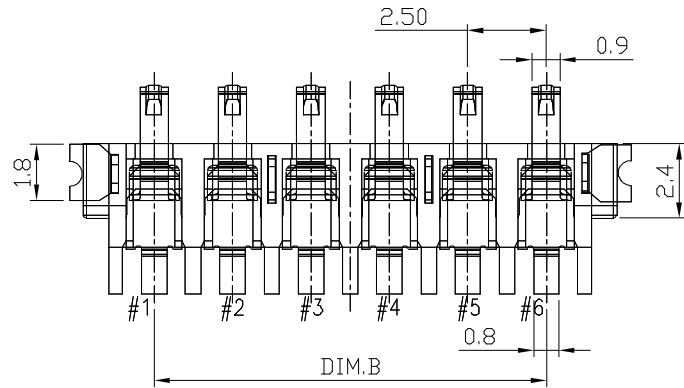
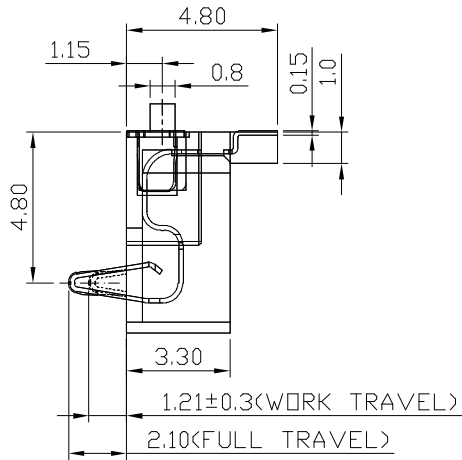
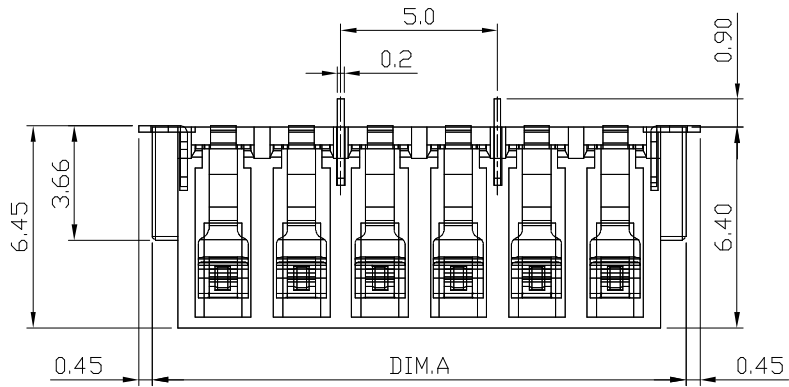
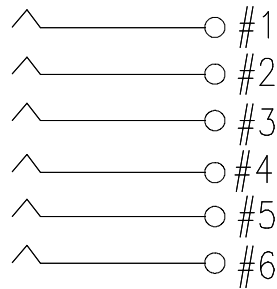


* RoHS COMPLIANT *



RECOMMENDED P.C.B LAYOUT
TOP VIEW (TOLERANCE:±0.05)

CAT NO.	Dimension	
	DIM.A	DIM.B
JCBA-CL-038S-4P	12.00	7.50
JCBA-CL-038S-6P	17.00	12.50



SCHEMATIC

* REVISIONS				
LTR	DESCRIPTION	DATE	REVISED	APPROVED

3	PEG	1	BRASS	Sn PLATED
2	HOUSING	1	LCP	BLACK
1	TEMRMINAL	4&6	C5210	Au LATED
NO	PART NAME	QTY	MATERIAL	REMARK
DWN	LILY	DATE	2024.07.18	3RD ANGLE PROJECTION NAME BATTERY CAT. NO. JCBA-CL-038S-XP DWN.NO. HB-CL-038S-XP
CHKD	ANDY	DATE	2024.07.18	
APVD	JON	DATE	2024.07.18	
JKCR Electronics Co., Ltd.				001

UNLESS OTHERWISE SPECIFIED, TOLERANCE ON DECIMAL: ±0.3