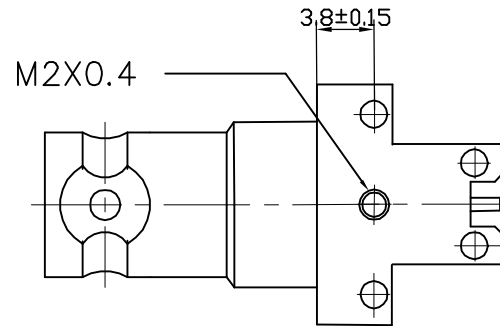
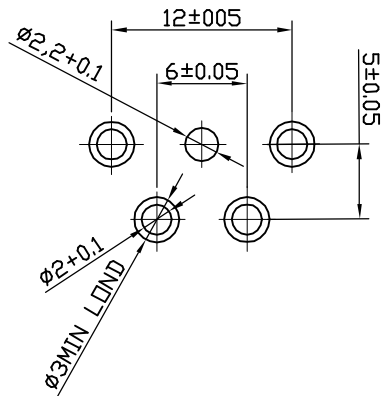
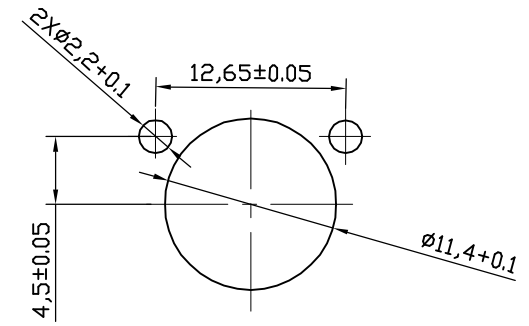
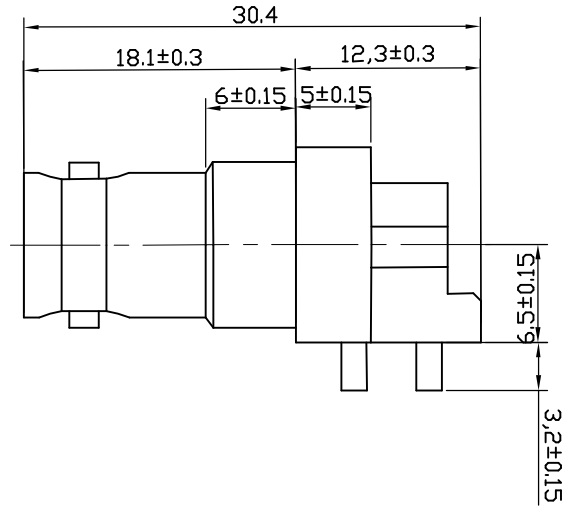
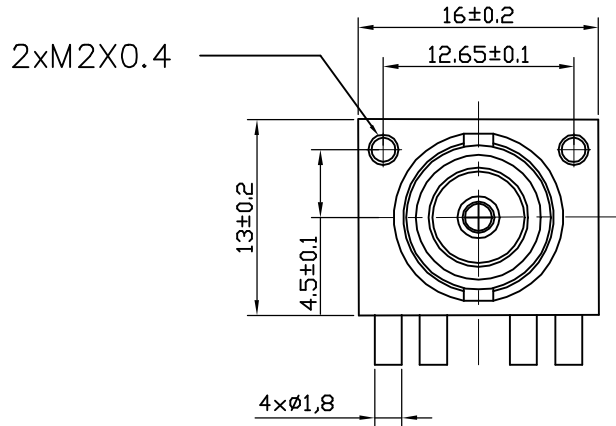


\* RoHS COMPLIANT \*

* REVISIONS				
LTR	DESCRIPTION	DATE	REVISED	APPROVED



UNLESS OTHERWISE SPECIFIED, TOLERANCE ON DECIMAL: ±0.3

DWN	LILY	DATE	2023.06.08	3RD ANGLE PROJECTION	NAME	BNC Connector
CHKD	ANDY	DATE	2023.06.08		CAT. NO.	JCB-23W23-01F-01-75
APVD	JON	DATE	2023.06.08		UNIT: mm	
JKCR Electronics Co., Ltd.					DWN.NO.	ZE-23W23-01F-01-75
						001