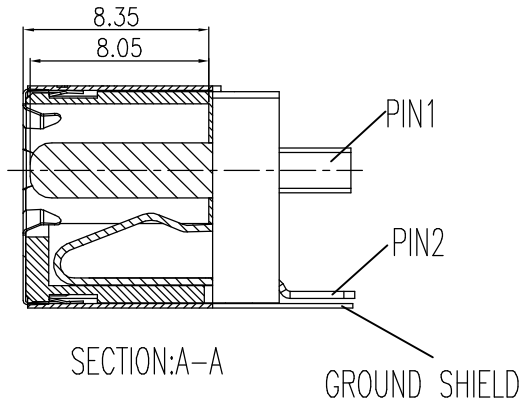
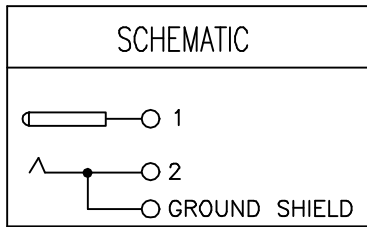
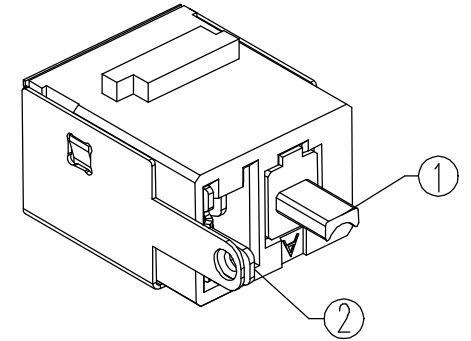
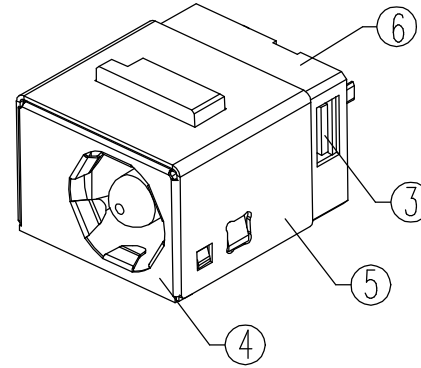
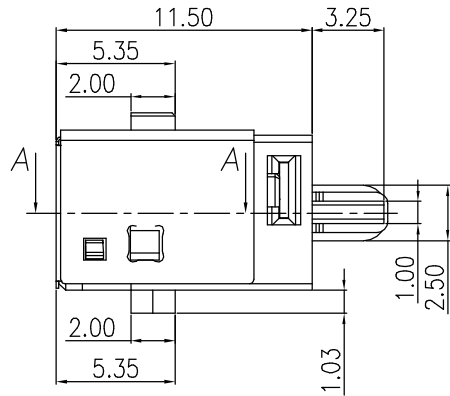
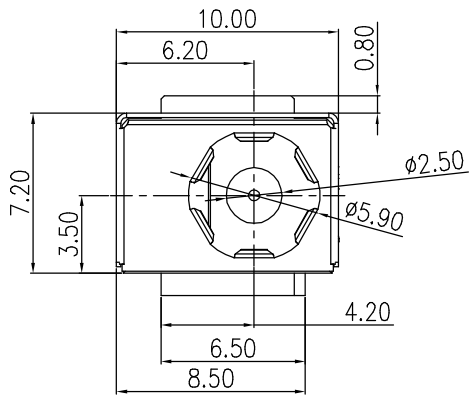
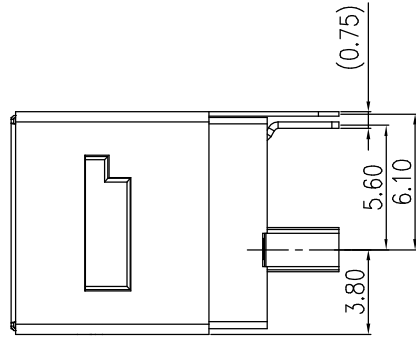


\* RoHS COMPLIANT \*

* REVISIONS				
LTR	DESCRIPTION	DATE	REVISED	APPROVED



6	HOUSING	1	PBT 4815	UL-94V0(BLACK)
5	GROUND SHIELD	1	SUS301 t=0.20	Ni PLATED
4	SHIELD PLATE	1	SUS301 t=0.10	
3	PEG	1	C2680 t=0.40	Sn PLATED
2	TIP SPRING	1	C5191 t=0.30	Ag PLATED
1	CENTER PIN	1	ZINC ALLOY	Ni PLATED
LTR	PART NAME	QTY	MATERIAL	REMARK
DWN	LILY	DATE	2013.05.28	3RD ANGLE PROJECTION NAME DC POWER JACK
CHKD	ANDY	DATE	2013.05.28	CAT. NO. DCD-020-87FB
APVD	JON	DATE	2013.05.28	UNIT: mm DWN.NO. F-020-87 001
JKCR Electronics Co., Ltd.				

UNLESS OTHERWISE SPECIFIED, TOLERANCE ON DECIMAL: ±0.3