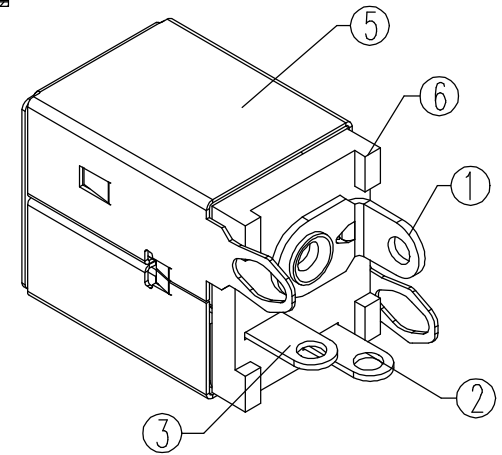


SECTION A-A



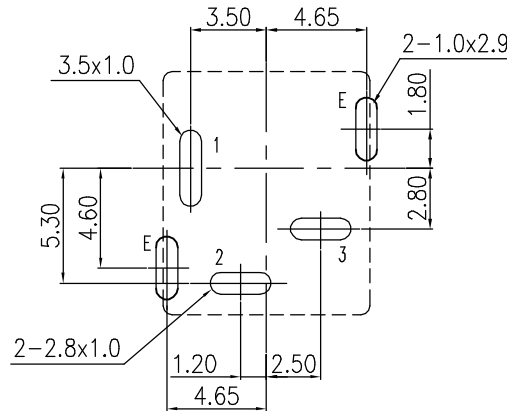
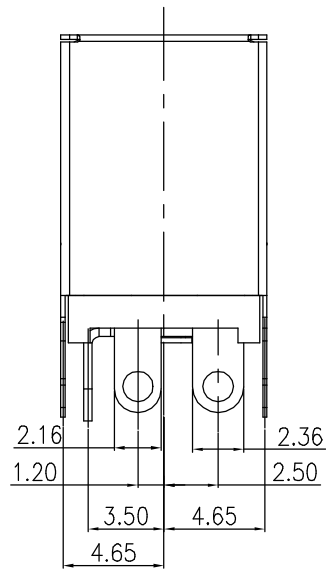
LEAD FREE

7	HOUSING	1	PBT 4815	UL-94V0(BLACK)
6	COVER	1	PBT 4815	UL-94V0(BLACK)
5	SHELL	1	SUS301 t=0.20	Ni PLATED
4	CENTER PIN	1	H59(COPPER ALLOY)	Ni PLATED
3	SHUNT TERMINAL	1	C2680 t=0.30	Ag PLATED
2	TIP SPRING	1	C5191 t=0.30	Ag PLATED
1	CENTER PIN TERMINAL	1	C2680 t=0.40	Ag PLATED

LTR	PART NAME	QTY	MATERIAL	REMARK
DWN	LILY	DATE	2020.05.28	3RD ANGLE PROJECTION NAME DC POWER JACK CAT. NO. DCD-020-84 DWN.NO. F-020-84
CHKD	ANDY	DATE	2020.05.28	
APVD	JON	DATE	2020.05.28	

JKCR Electronics Co., Ltd.

002



T:1.6 Dimensions of PC board holes
Tolerance : ±0.05(Printed-top view)

CAT. NO.	PIN	SCHEMATIC
DCD-020-84A	φ2.0	
DCD-020-84B	φ2.5	

UNLESS OTHERWISE SPECIFIED, TOLERANCE ON DECIMAL: ±0.3