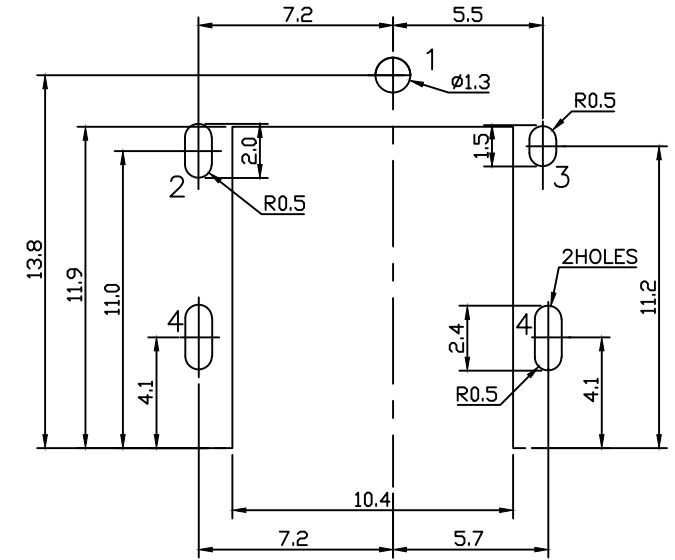
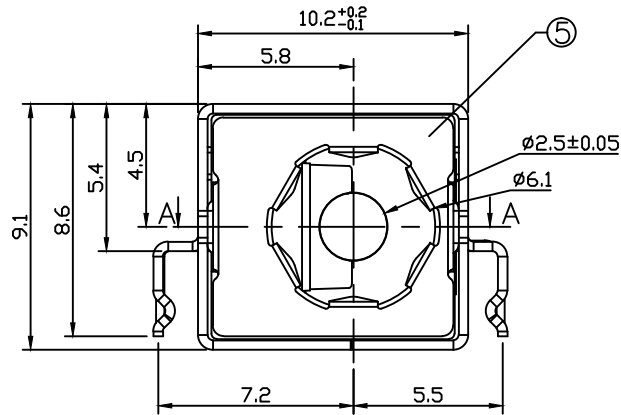
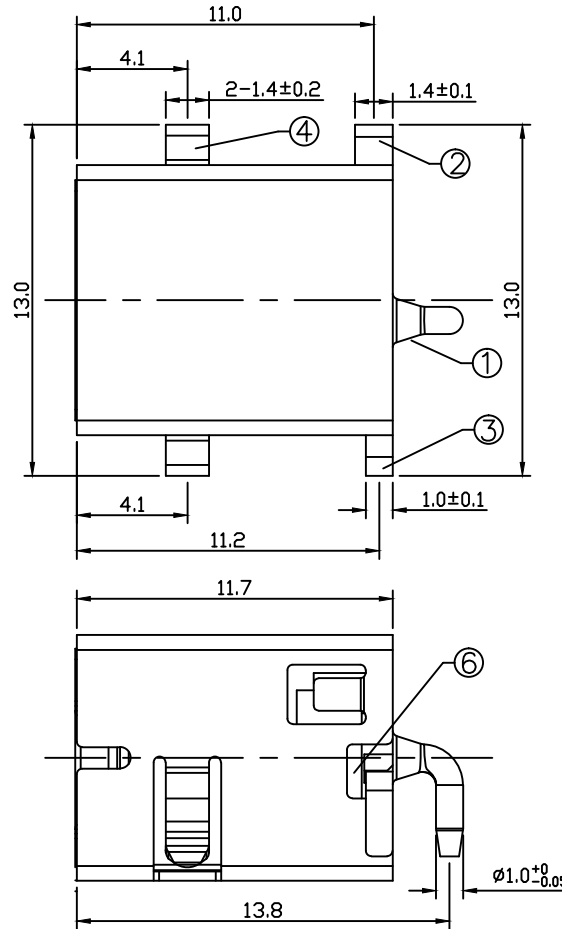
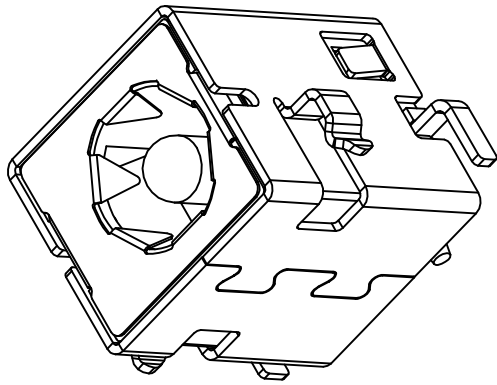


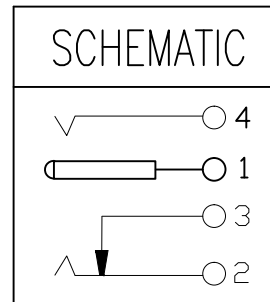
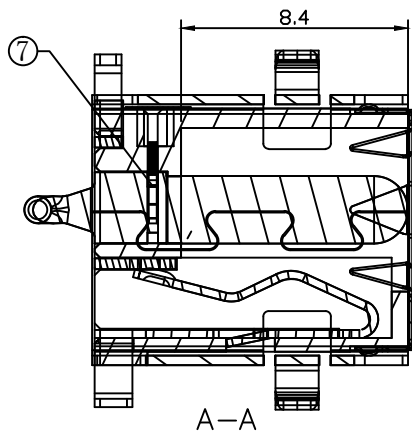
* RoHS COMPLIANT *

* REVISIONS

LTR	DESCRIPTION	DATE	REVISED	APPROVED
002	修改鐵殼總寬，由10±0.3修改為10.2±0.2-0.1	2018.08.08	MOMO	JON



T:1.6 Dimensions of PC board holes
Tolerance : ±0.05(Printed-top view)



7	FLAT PIECE	1	SUS301		
6	HOUSING	1	PA9T		UL-94V0(BLACK)
5	SHIELD	1	SUS301	t=0.10	
4	CONTACT FOOT	1	C2680	t=0.35	Ni PLATED
3	CURVE PIECE	1	C2680	t=0.40	Ag PLATED
2	SPRING PIECE	1	C5191	t=0.30	Ag PLATED
1	PIN	1	H59(COPPER ALLOY)		Ni PLATED
LTR	PART NAME	QTY	MATERIAL		REMARK
DWN	MOMO	DATE	2018.08.08	3RD ANGLE PROJECTION	NAME DC POWER JACK
CHKD	ANDY	DATE	2018.08.08		CAT. NO. DCD-020-71B
APVD	JON	DATE	2018.08.08		UNIT: mm
JKCR Electronics Co., Ltd.					DWN.NO. A-020-71
					002

UNLESS OTHERWISE SPECIFIED, TOLERANCE ON DECIMAL:±0.3