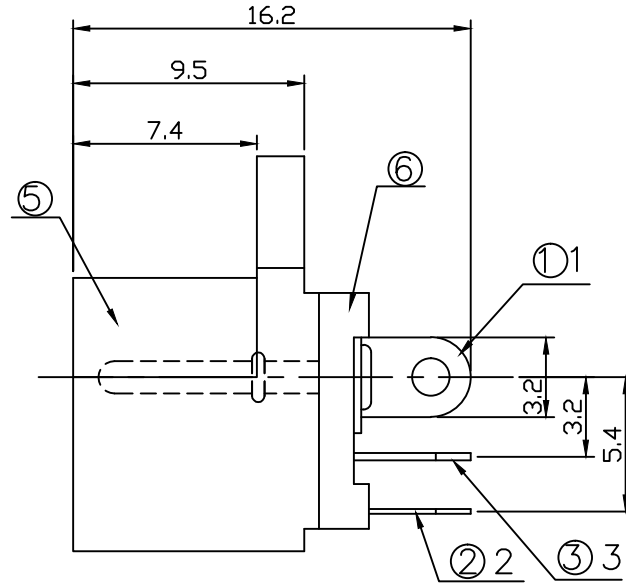
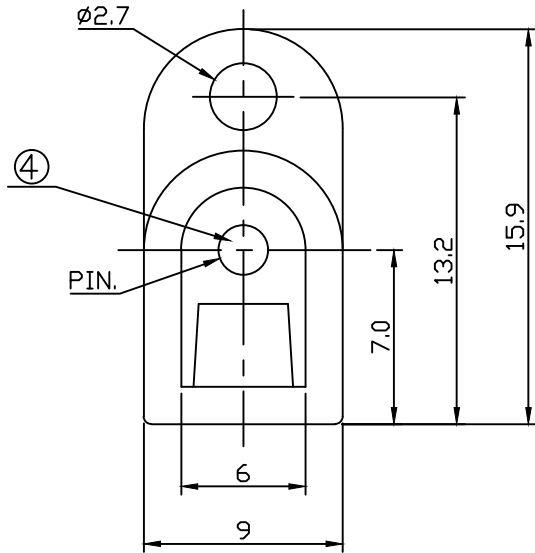
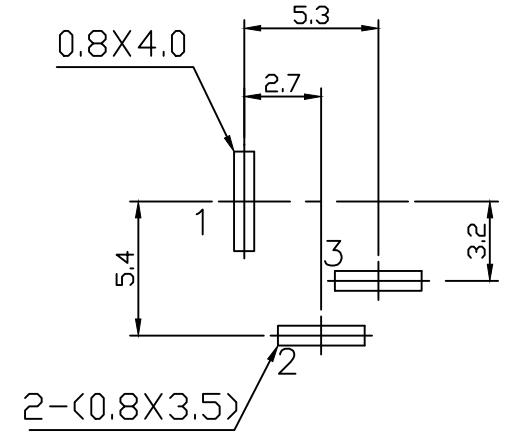
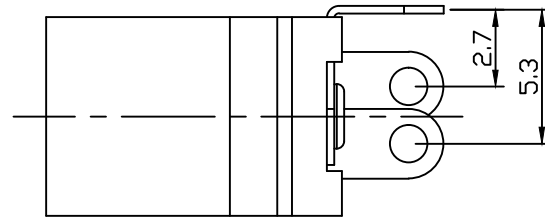
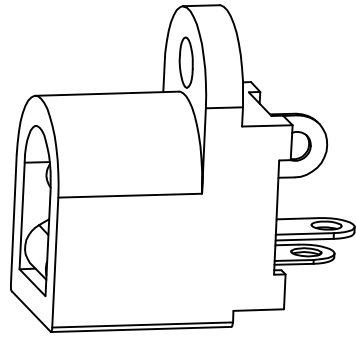


		* REVISIONS		
LTR	DESCRIPTION	DATE	REVISED	APPROVED



T:1.6 Dimensions of PC board holes  
Tolerance : ±0.05(Printed-top view)

LEAD FREE

CAT. NO.	PIN	SCHEMATIC
DCD-020-68A	φ2.0	
DCD-020-68B	φ2.5	

6	COVER	1	PBT 4815	UL-94V0(BLACK)
5	HOUSING	1	PBT 4815	UL-94V0(BLACK)
4	PIN	1	C2680	Cu/Sn PLATED
3	TERMINAL 3#	1	C2680 t=0.3	Ag PLATED
2	SPRING 2#	1	SUS 301 t=0.2	Ag PLATED
1	TERMINAL 1#	1	C2680 t=0.3	Ag PLATED

LTR	PART NAME	QTY	MATERIAL	REMARK
DWN	LILY	DATE	2013.07.17	NAME DC POWER JACK CAT. NO. DCD-020-68
CHKD	ANDY	DATE	2013.07.17	
APVD	JON	DATE	2013.07.17	

UNLESS OTHERWISE SPECIFIED, TOLERANCE ON DECIMAL:±0.3

JKCR Electronics Co., Ltd.

DWN.NO.  
A-020-68 001