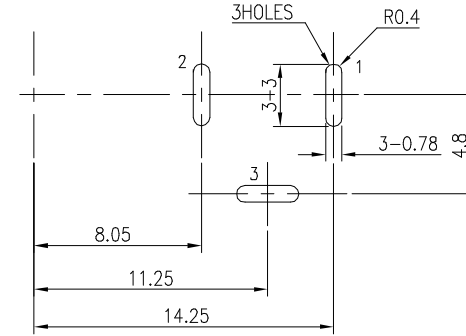
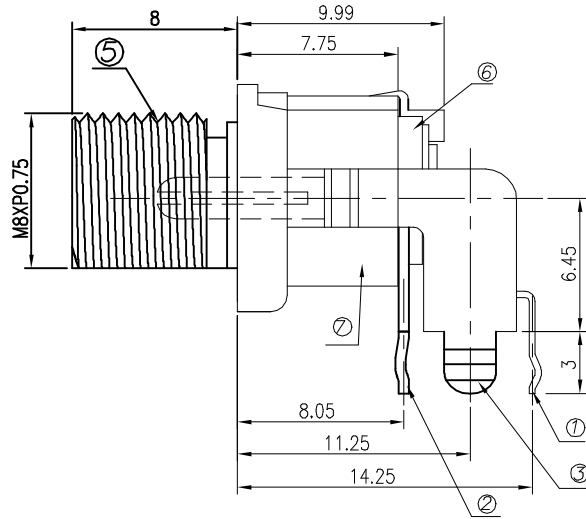
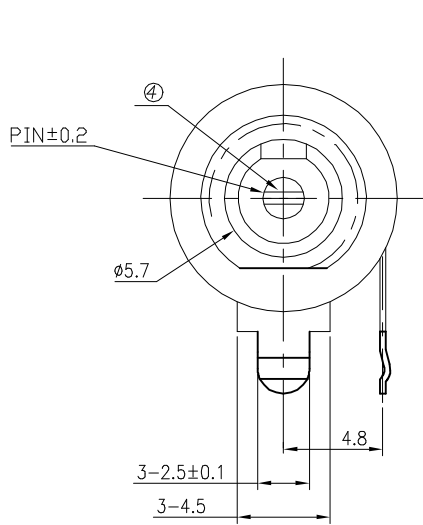
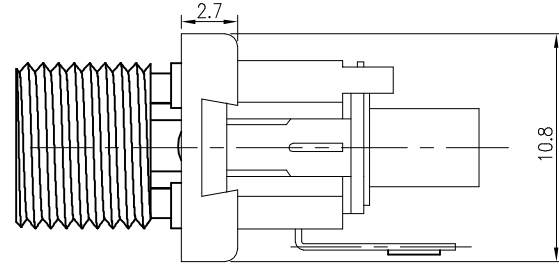
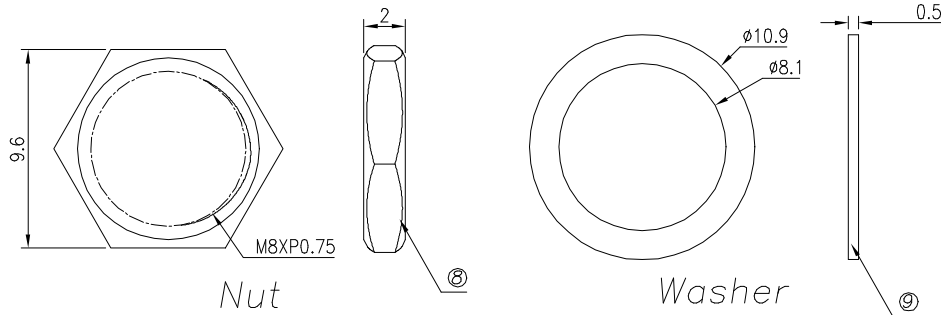


* RoHS COMPLIANT *



T:1.6 Dimensions of PC board holes
Tolerance : ±0.05(Printed-Top view)



UNLESS OTHERWISE SPECIFIED, TOLERANCE ON DECIMAL: ±0.3

* REVISIONS				
LTR	DESCRIPTION	DATE	REVISED	APPROVED

CAT NO.	PIN	SCHEMATIC
DCD-020-66LMKKA	Ø2.0	
DCD-020-66LMKKB	Ø2.5	

9	WASHER	1	SPCC	Cu/Sn PLATED
8	NUT	1	H59(COPPER ALLOY)	Cu/Sn PLATED
7	HOUSING	1	PBT 4815	UL-94V0(BLACK)
6	INSULATOR	2	PF	
5	AXIS SUPPORT	1	H59(COPPER ALLOY)	Cu/Sn PLATED
4	PIN	1	H59(COPPER ALLOY)	Cu/Sn PLATED
3	SHUNT TERMIALNL	1	C2680	Sn PLATED
2	TIP SPRING	1	C5191	Sn PLATED
1	CENTER PIN TERMINAL	1	C2680	Sn PLATED
LTR	PART NAME	QTY	MATERIAL	REMARK
DWN	LILY	DATE	2021.06.25	3RD ANGLE PROJECTION NAME DC POWER JACK CAT. NO. DCD-020-66LMKK DWN.NO. B-020-66
CHKD	ANDY	DATE	2021.06.25	
APVD	JON	DATE	2021.06.25	
JKCR Electronics Co., Ltd.				001