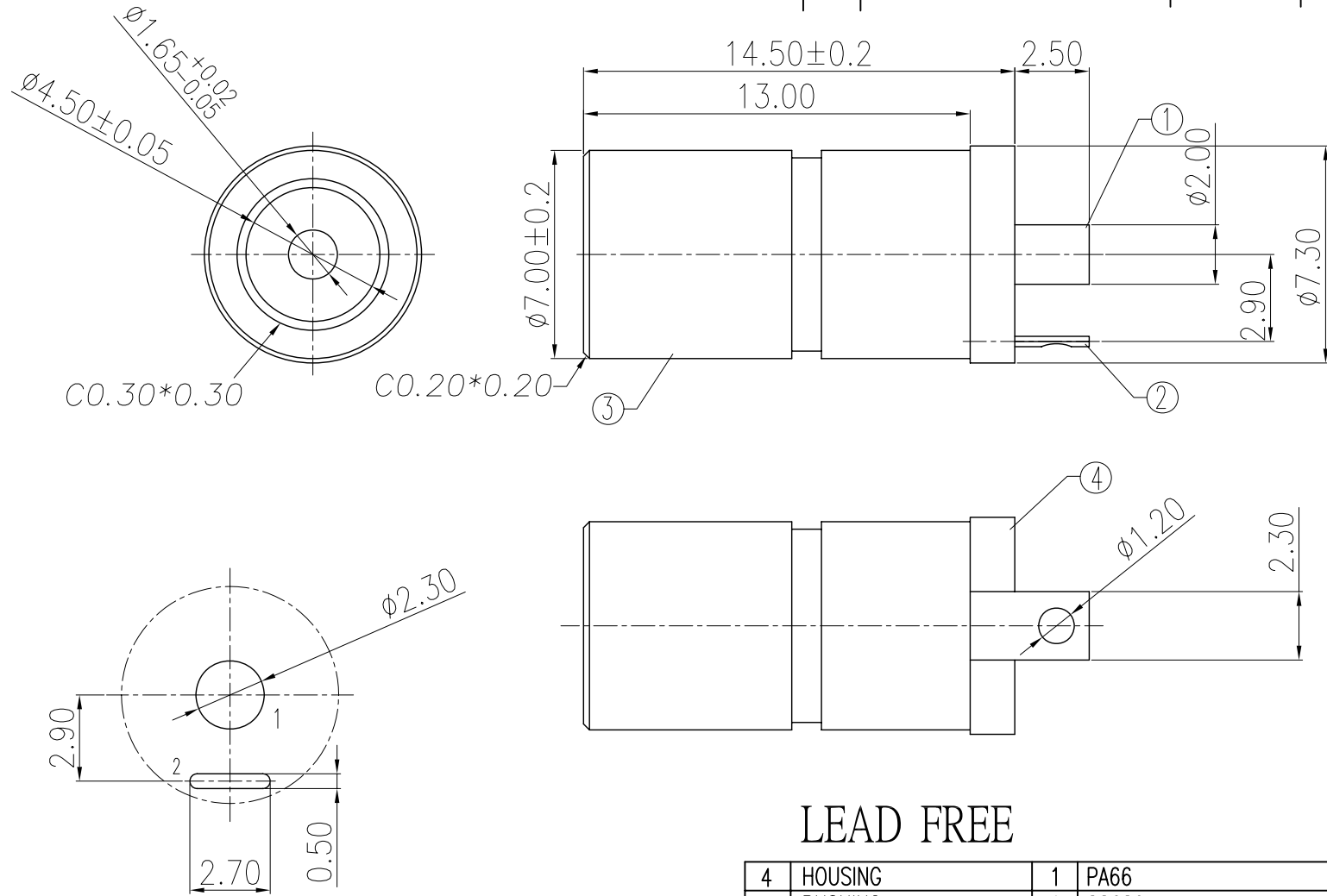


* REVISIONS				
LTR	DESCRIPTION	DATE	REVISED	APPROVED



LEAD FREE

4	HOUSING	1	PA66	BLACK
3	BUSHING	1	C2680	Sn PLATED
2	TIP SPRING	1	SUS301	Sn PLATED
1	CENTER PIN	1	H59(COPPER ALLOY)	Ni PLATED
LTR	PART NAME	QTY	MATERIAL	REMARK
DWN	LILY	DATE	2015.07.23	3RD ANGLE PROJECTION NAME DC POWER JACK CAT. NO. DCD-020-55C DWN.NO. F-020-55
CHKD	ANDY	DATE	2015.07.23	
APVD	JON	DATE	2015.07.23	
JKCR Electronics Co., Ltd.				001

UNLESS OTHERWISE SPECIFIED, TOLERANCE ON DECIMAL: ± 0.3