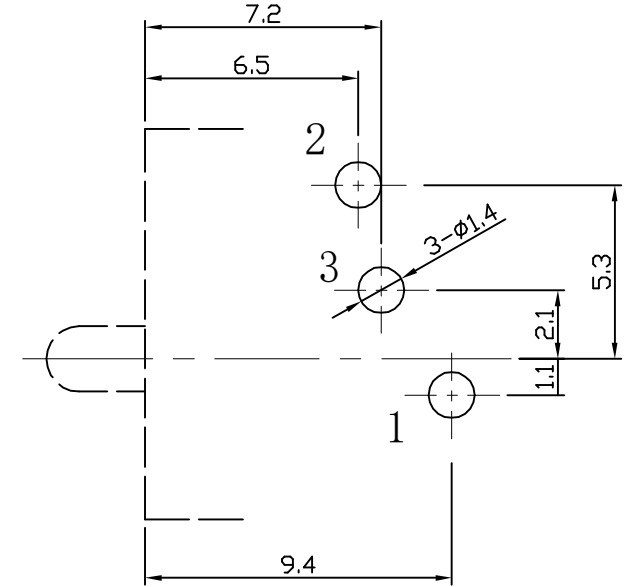
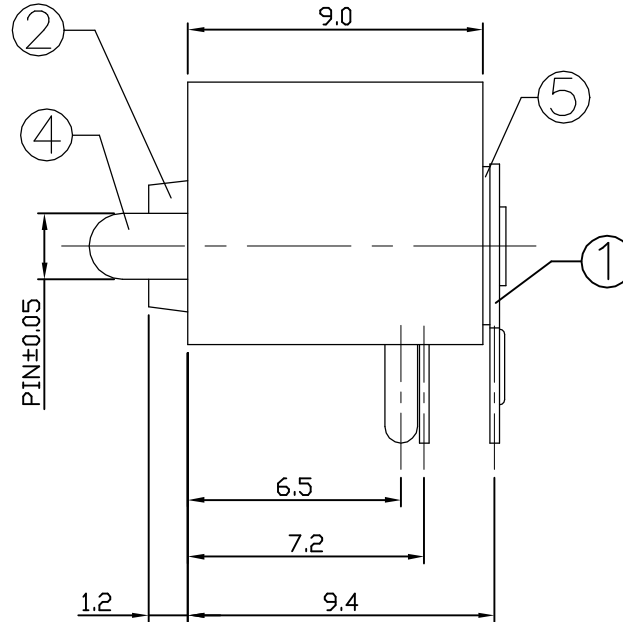
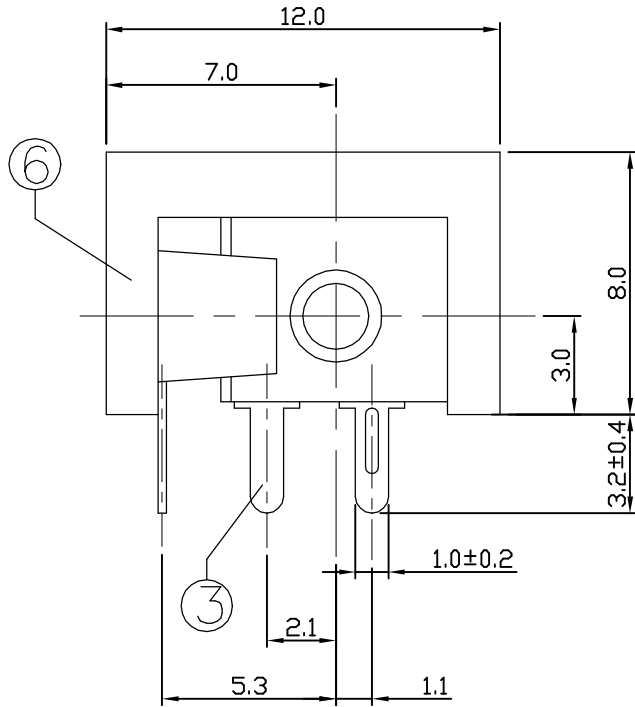


* REVISIONS				
LTR	DESCRIPTION	DATE	REVISED	APPROVED



T:1.6 Dimensions of PC board holes  
Tolerance : ±0.05(Printed-top view)

LEAD FREE

CAT. NO.	PIN	SCHEMATIC
DCD-020-50A	φ2.0	
DCD-020-50B	φ2.5	

6	HOUSING	1	PBT 4815	UL-94V0(BLACK)
5	COVER	1	PF	
4	CENTER PIN	1	H59(COPPER ALLOY)	Ni PLATED
3	SHUNT TERMINAL	1	C2680	Ag PLATED
2	TIP SPRING	1	SUS301	Ag PLATED
1	CENTER PIN TERMINAL	1	C2680	Ag PLATED
LTR	PART NAME	QTY	MATERIAL	REMARK
DWN	LILY	DATE	2020.06.24	3RD ANGLE PROJECTION NAME DC POWER JACK
CHKD	ANDY	DATE	2020.06.24	
APVD	JON	DATE	2020.06.24	
UNIT: mm				CAT. NO. DCD-020-50
JKCR Electronics Co., Ltd.				DWN.NO. F-020-50
				002

UNLESS OTHERWISE SPECIFIED, TOLERANCE ON DECIMAL: ±0.3