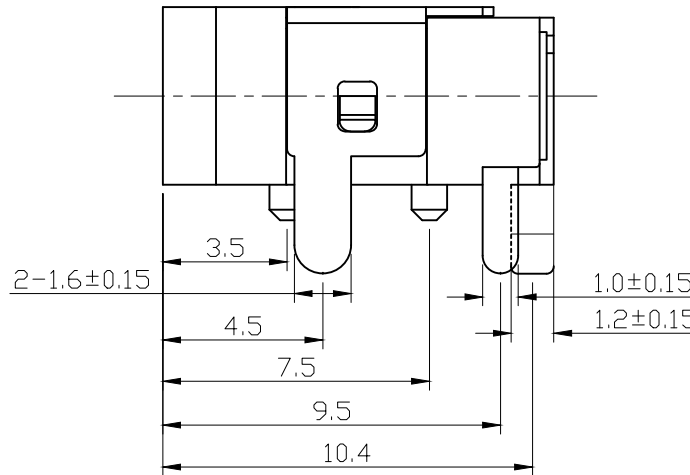
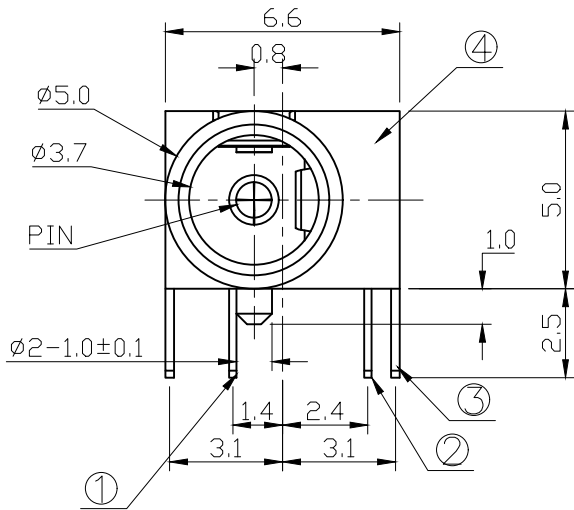
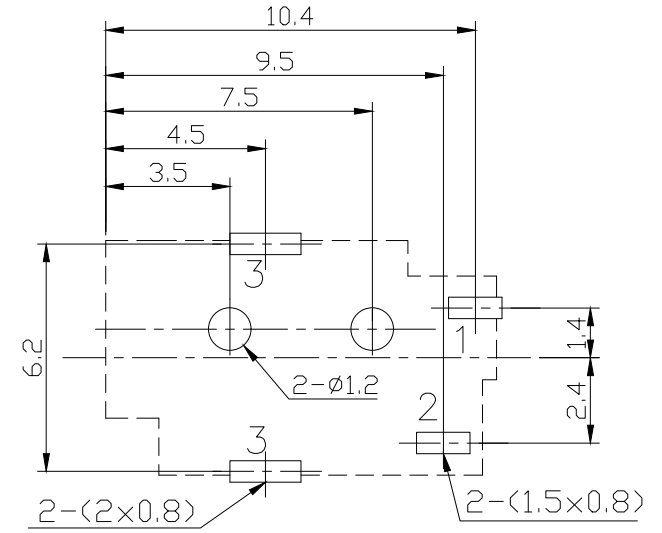
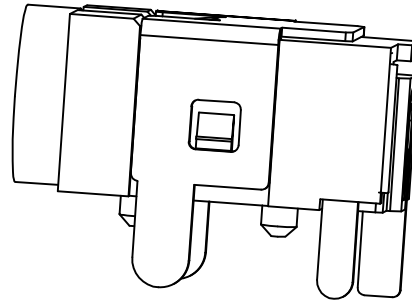
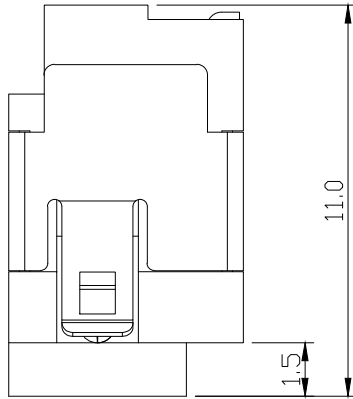


* RoHS COMPLIANT *

* REVISIONS				
LTR	DESCRIPTION	DATE	REVISED	APPROVED



T:1.6 Dimensions of PC board holes
Tolerance : ±0.05(Printed-top view)

CAT. NO.	PIN	SCHEMATIC
DCD-020-44A	ø1.0	2
		1
		3

4	HOUSING	1	PA9T	BLACK
3	SPRING TERMINAL	1	C5191 t=0.25	Ag PLATED
2	SPRING TERMINAL	1	C5191 t=0.25	Ag PLATED
1	PIN TERMINAL	1	C2680 t=0.20	Ag PLATED
LTR	PART NAME	QTY	MATERIAL	REMARK
DWN	LILY	DATE	2014.09.20	3RD ANGLE PROJECTION NAME DC POWER JACK
CHKD	ANDY	DATE	2014.09.20	
APVD	JON	DATE	2014.09.20	
UNIT: mm				CAT. NO. DCD-020-44A
JKCR Electronics Co., Ltd.				DWN.NO. A-020-44
				001

UNLESS OTHERWISE SPECIFIED, TOLERANCE ON DECIMAL: ±0.3