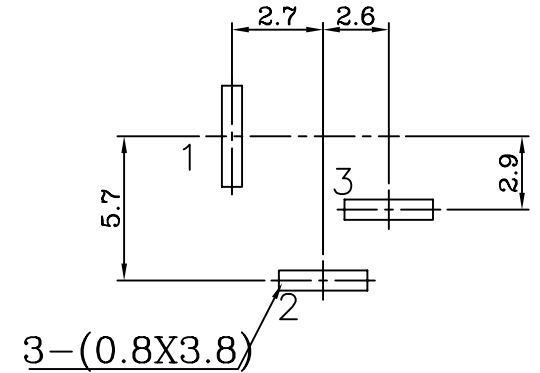
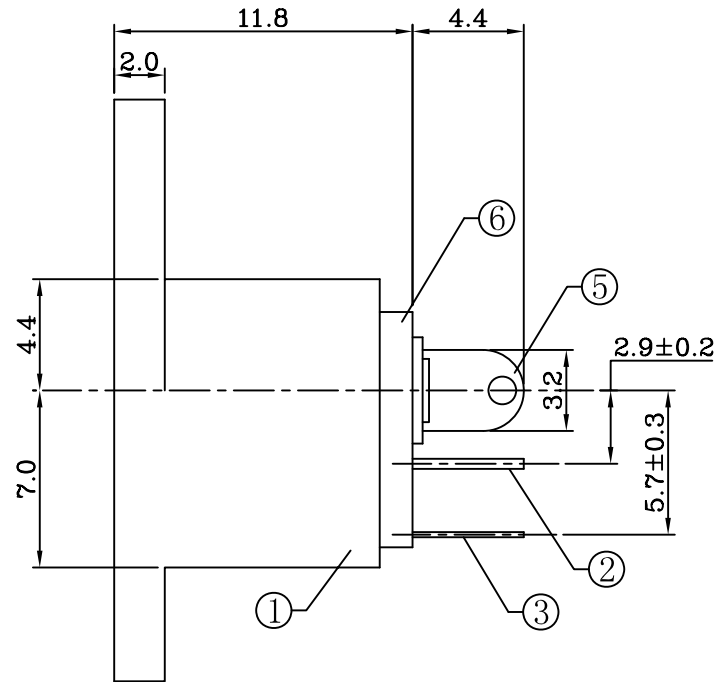
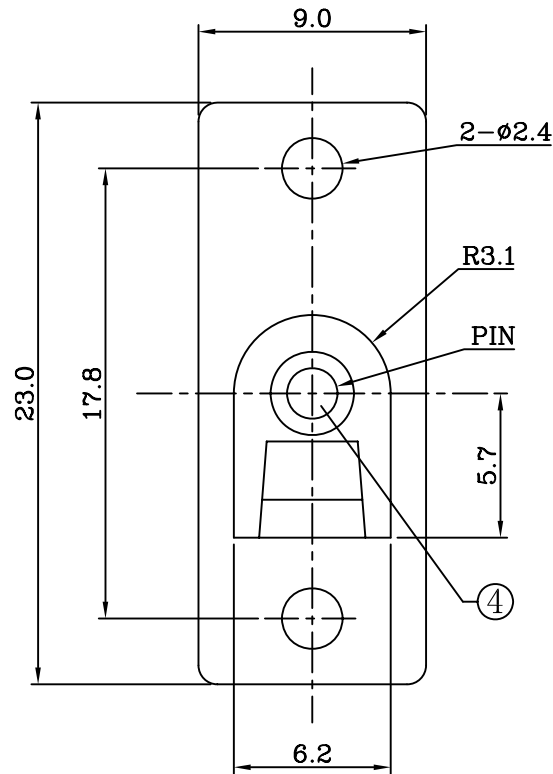


* REVISIONS				
LTR	DESCRIPTION	DATE	REVISED	APPROVED



T:1.6 Dimensions of PC board holes  
Tolerance : ±0.05(Printed-top view)

CAT. NO.	PIN	SCHEMATIC
DCD-020-41A	Ø2.0	
DCD-020-41B	Ø2.5	

UNLESS OTHERWISE SPECIFIED, TOLERANCE ON DECIMAL: ±0.3

### LEAD FREE

6	COVER	1	PBT	BLACK
5	CONTACT FOOT	1	C2680	Sn PLATED
4	PIN	1	H59(COPPER ALLOY)	Cu/Sn PLATED
3	SPRING	1	SUS301	Sn PLATED
2	FLAT PIECE	1	C2680	Sn PLATED
1	HOUSING	1	PBT	BLACK
LTR	PART NAME	QTY	MATERIAL	REMARK
DWN	LILY	DATE	2014.12.12	3RD ANGLE PROJECTION NAME DC POWER JACK CAT. NO. DCD-020-41 DWN.NO. A-020-41
CHKD	ANDY	DATE	2014.12.12	
APVD	JON	DATE	2014.12.12	
JKCR Electronics Co., Ltd.				001