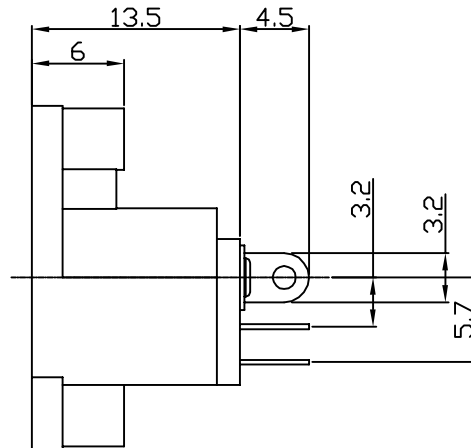
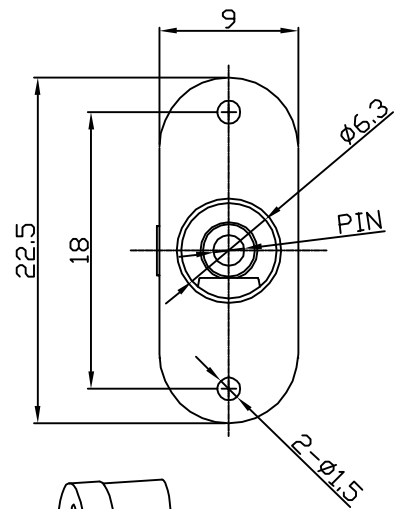
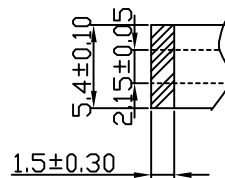
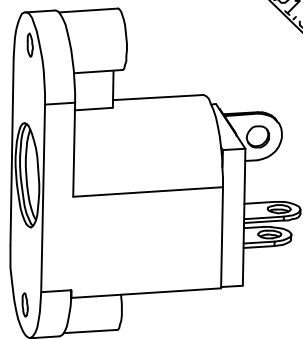


PCB LAYOUT



CAT. NO.	PIN	SCHEMATIC
DCD-020-35A	$\phi 2.0$	
DCD-020-35B	$\phi 2.5$	



* REVISIONS				
LTR	DESCRIPTION	DATE	REVISED	APPROVED

LEAD FREE

QTY	PART NAME	MATERIAL	REMARK
1	COVER	PBT 4815	UL94V-0(BLACK)
1	HOUSING	PBT 4815	UL94V-0(BLACK)
1	PIN	COPPER ALLOY	Cu/Sn PLATED
1	TERMINAL	C2680 t=0.30	Sn PLATED
1	TERMINAL	C5191 t=0.30	Sn PLATED
1	TERMINAL	C2680 t=0.30	Sn PLATED

LTR	PART NAME	QTY	MATERIAL	REMARK
DWN	LILY	DATE	2020.01.21	3RD ANGLE PROJECTION
CHKD	ANDY	DATE	2020.01.21	
APVD	JON	DATE	2020.01.21	

JKCR Electronics Co., Ltd.				NAME	DC POWER JACK
				CAT. NO.	DCD-020-35
				DWN.NO.	A-020-35
					003

UNLESS OTHERWISE SPECIFIED, TOLERANCE ON DECIMAL:±0.3