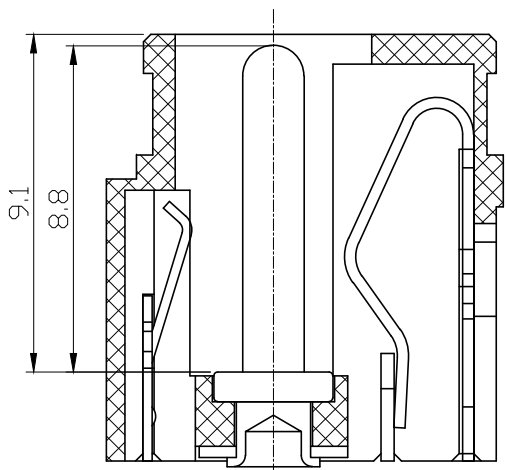
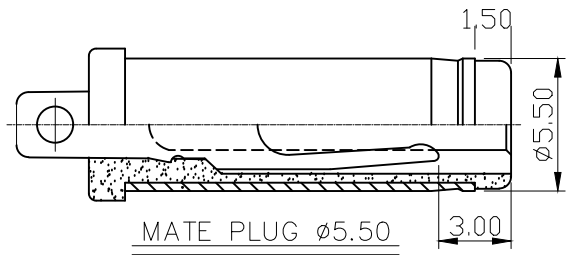


T:1.6 Dimensions of PC board holes  
Tolerance : ±0.05(Printed-top view)



CAT. NO.	PIN	SCHEMATIC
DCD-020-33A	Ø2.0	
DCD-020-33B	Ø2.5	



UNLESS OTHERWISE SPECIFIED, TOLERANCE ON DECIMAL:±0.3

		* REVISIONS		
LTR	DESCRIPTION	DATE	REVISED	APPROVED
7	HOUSING	1	PBT 4815	UL-94V0(BLACK)
6	COAT	1	C2680	Ni PLATED
5	CONTACT FOOT	1	C5191	Ag PLATED
4	PIN	1	H59(COPPER ALLOY)	Ni PLATED
3	FLAT PIECE	1	C2680	Ag PLATED
2	FLAT PIECE	1	C2680	Ag PLATED
1	SPRING PIECE	1	C5191	Ag PLATED
LTR	PART NAME	QTY	MATERIAL	REMARK
DWN	LILY	DATE	2013.04.25	3RD ANGLE PROJECTION NAME DC POWER JACK CAT. NO. DCD-020-33 DWN.NO. F-020-33
CHKD	ANDY	DATE	2013.04.25	
APVD	JON	DATE	2013.04.25	
JKCR Electronics Co., Ltd.				001